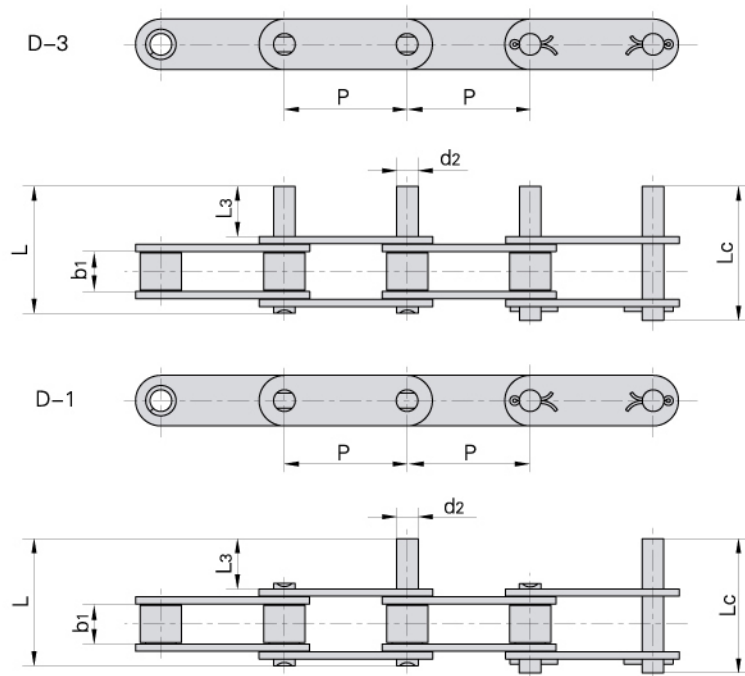


# Double pitch conveyor chain with extended pins

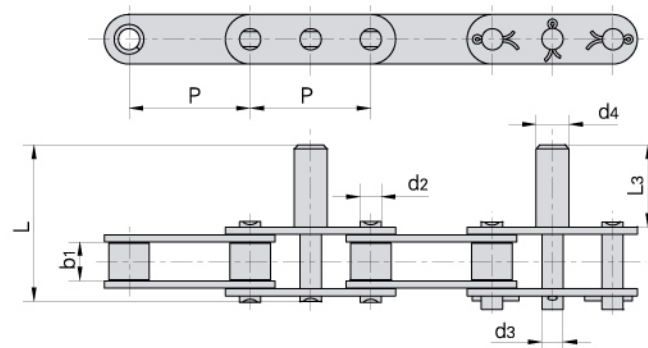
## Langgliedrige Förderketten mit Mitnehmerbolzen



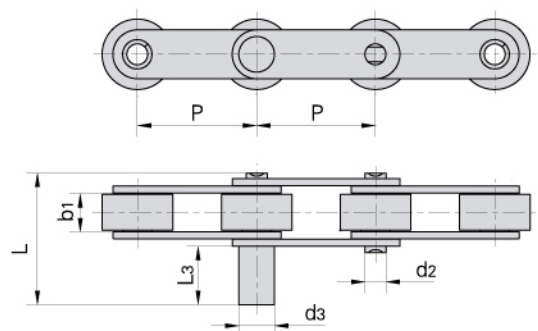
DIN/ISO Chain No. DIN/ISO Ketten Nr.	ANSI Chain No. ANSI Ketten Nr.	P	b1	d2	L3	L	Lc
		mm	mm	mm	mm	mm	mm
C208A C208AL	C2040 C2042	25.40	7.85	3.96	9.5	25.1	26.2
C210A C210AL	C2050 C2052	31.75	9.40	5.08	11.9	31.3	33.1
C212A C212AL	C2060 C2062	38.10	12.57	5.94	14.3	38.6	40.6
C212AH C212AHL	C2060H C2062H	38.10	12.57	5.94	14.3	42.0	43.8
C216A C216AL	C2080 C2082	50.80	15.75	7.92	19.1	50.3	53.3
C216AH C216AHL	C2080H C2082H	50.80	15.75	7.92	19.1	53.5	55.0
C220A C220AL	C2100 C2102	63.50	18.90	9.53	23.8	61.8	66.1
C220AH C220AHL	C2100H C2102H	63.50	18.90	9.53	23.8	65.0	68.3
C224AH C224AHL	C2120H C2122H	76.20	25.22	11.10	28.6	79.6	83.6
C232AH C232AHL	C2160H C2162H	101.60	31.75	14.27	38.1	103.0	107.8

# Double pitch conveyor chain with extended pins

## Langgliedrige Förderketten mit Mitnehmerbolzen



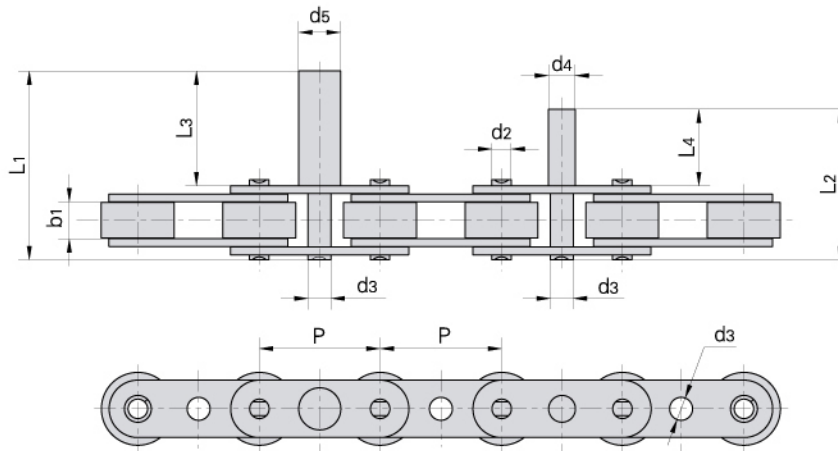
Donghua Chain No. <i>Donghua Ketten Nr.</i>	P	b1	d2	d3	d4	L3	L
	mm	mm	mm	mm	mm	mm	mm
C2052F2	31.75	9.40	5.08	6.00	7.0	20.0	39.8
C2052F14	31.75	9.40	5.08	6.00	7.0	21.0	40.4
C2062-D38	38.10	12.57	5.94	5.94	11.1	24.2	48.6
C2062-D39	38.10	12.57	5.94	5.94	13.3	32.2	56.6
C212AHL-D4	38.10	12.57	5.94	5.94	8.0	25.0	53.0
C212AHF3	38.10	12.57	5.94	8.08	10.0	35.0	63.0
C212AHF7	38.10	12.57	5.94	5.94	12.7	41.2	69.2
C212AHF8	38.10	12.57	5.94	8.00	10.0	35.0	63.0
C2060HF9	38.10	12.57	5.94	7.95	12.7	41.3	69.3
C2060HF10	38.10	12.57	5.94	7.70	14.3	41.3	69.3
C2060H-D23	38.10	12.57	5.94	8.80	12.7	41.3	69.3
C2060H-D24	38.10	12.57	5.94	7.95	12.7	44.8	65.6
C2060H-D31	38.10	12.57	5.94	7.95	16.0	45.0	73.0
C2062H-D41	38.10	12.57	5.94	9.53	9.5	22.2	50.0



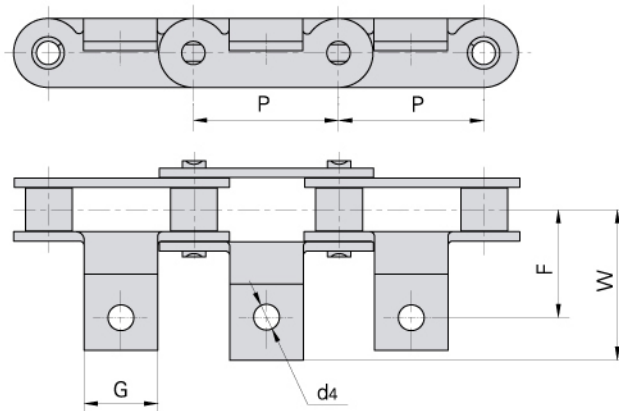
Donghua Chain No. <i>Donghua Ketten Nr.</i>	P	b1	d2	d3	L3	L
	mm	mm	mm	mm	mm	mm
C2052DF1	31.75	9.40	5.08	7.50	14.15	33.6
C210AF4	31.75	9.40	5.08	11.00	34.00	53.7
C2052-D4	31.75	9.40	5.08	6.00	32.40	52.0
C2050-D5	31.75	9.40	5.08	8.00	40.00	59.7
C212AHL-D4	38.10	12.57	5.94	8.00	25.00	53.0
C2062-D6	38.10	12.57	5.94	12.00	25.00	49.7

# Double pitch conveyor chain with extended pins

## Langgliedrige Förderketten mit Mitnehmerbolzen



Donghua Chain No. Donghua Ketten Nr.	P	b1	d2	d3	d4	d5	L3	L1	L4	L2
	mm	mm	mm	mm	mm	mm	mm	mm	mm	mm
C2052F1	31.75	9.4	5.08	6.0	7.0	11.0	30.0	49.8	20.0	39.8



Donghua Chain No. Donghua Ketten Nr.	P	G	F	W	d4
	mm	mm	mm	mm	mm
C2050A6	31.75	16.0	23.4	32.8	5.5