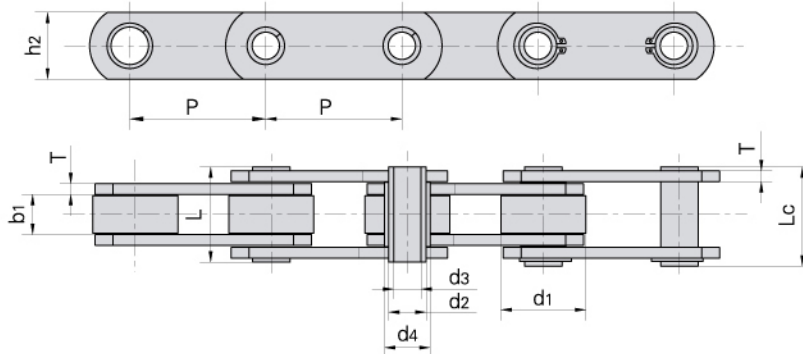
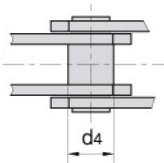


Hollow pin conveyor chains (MC series)

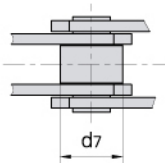
Förderketten mit Hohlbolzen (MC Serie)



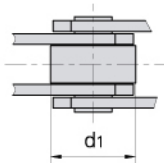
without rollers
ohne Rollen



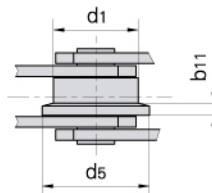
with S small rollers type
mit S-Schonrollen



with P large rollers type
mit P-Laufrollen



with F flanged rollers type
mit F-Bundlaufrollen



DIN Chain No. DIN Ketten Nr.	Pitch Teilung						Roller dimension Rollenabmessungen				Bush diameter Buchsendurchmesser	Plate depth Laschenhöhe
	P		d1 max	d7 max	d5 max	b11	d4 max	h2 max				
	mm	mm										
MC28	63.0	80.0	100.0	125.0	160.0	-	36.0	25.0	45.0	4.5	17.5	25.0
MC56	80.0	100.0	125.0	160.0	200.0	250.0	50.0	30.0	60.0	5.0	21.0	35.0
MC112	100.0	125.0	160.0	200.0	250.0	315.0	70.0	42.0	85.0	7.0	29.0	50.0
MC224	160.0	200.0	250.0	315.0	400.0	500.0	100.0	60.0	120.0	10.0	41.0	70.0

DIN Chain No. DIN Ketten Nr.	Width between inner plates Innere Breite	Pin diameter Bolzendurchmesser		Pin length Bolzenlänge		Plate thickness Laschendicke	Breaking load Bruchkraft	
	b1	d2	d3	L	Lc	T	Q	*Q
	min	max	min	max	max	max	min	min
	mm	mm	mm	mm	mm	mm	kN/LB	kN/LB
MC28	20.0	13.0	8.2	36.0	38.5	3.5	28.0/6364	40.0/9091
MC56	24.0	15.5	10.2	45.0	47.5	4.0	56.0/12727	90.0/20454
MC112	32.0	22.0	14.3	62.5	64.3	6.0	112.0/25454	180.0/40908
MC224	43.0	31.0	20.3	83.0	85.5	8.0	224.0/50909	350.0/79544

*Q: Higher breaking load with hardened plates
*Q: höhere Bruchkraft durch gehärtete Laschen