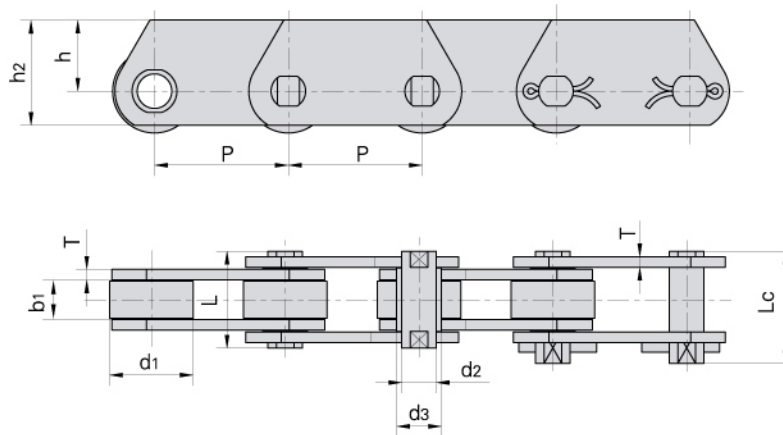


# Conveyor chains (FVT series) Förderketten (FVT Serie)



DIN Chain No. DIN Ketten Nr.	Pitch								Roller diameter	Pin diameter	Bush diameter	Plate thickness
	Teilung								Rollen-durchmesser	Bolzen-durchmesser	Buchsen-durchmesser	Laschen-dicke
	P								d1	d2	d3	T
mm												
FVT40	50.0	63.0	80.0	100.0	125.0	-	-	32.0	10.0	15.0	3.0	
FVT63	63.0	80.0	100.0	125.0	160.0	-	-	40.0	12.0	18.0	4.0	
FVT90	63.0	80.0	100.0	125.0	160.0	200.0	250.0	48.0	14.0	20.0	5.0	
FVT112	100.0	125.0	160.0	200.0	250.0	-	-	55.0	16.0	22.0	6.0	
FVT140	100.0	125.0	160.0	200.0	250.0	-	-	60.0	18.0	25.0	6.0	
FVT180	125.0	160.0	200.0	250.0	315.0	-	-	70.0	20.0	30.0	8.0	
FVT250	160.0	200.0	250.0	315.0	-	-	-	80.0	26.0	36.0	8.0	
FVT315	160.0	200.0	250.0	315.0	400.0	-	-	90.0	30.0	42.0	10.0	

DIN Chain No. DIN Ketten Nr.	Width between inner plates		Pin length		Plate depth		Ultimate tensile strength	
	Innere Breite		Bolzenlänge		Laschenhöhe		Min. Bruchkraft	
	b1 min	L max	Lc max	h2 max	h max	Q min	*Q min	
mm								
kN/LB								
FVT40	18.0	36.0	39.0	35.0	22.5	40.0/9091	47.0/10681	
FVT63	22.0	45.0	48.5	40.0	25.0	63.0/14317	75.0/17045	
FVT90	25.0	53.0	56.5	45.0	27.5	90.0/20453	115.0/26136	
FVT112	30.0	62.0	66.0	50.0	30.0	112.0/25452	170.0/38636	
FVT140	35.0	67.0	71.5	60.0	37.5	140.0/31815	180.0/40908	
FVT180	45.0	86.0	92.0	70.0	45.0	180.0/40908	250.0/56817	
FVT250	55.0	97.0	103.5	80.0	50.0	250.0/56817	300.0/68181	
FVT315	65.0	113.0	126.5	90.0	55.0	315.0/71591	480.0/109089	

\*Q: Higher breaking load with hardened plates  
\*Q: höhere Bruchkraft durch gehärtete Laschen