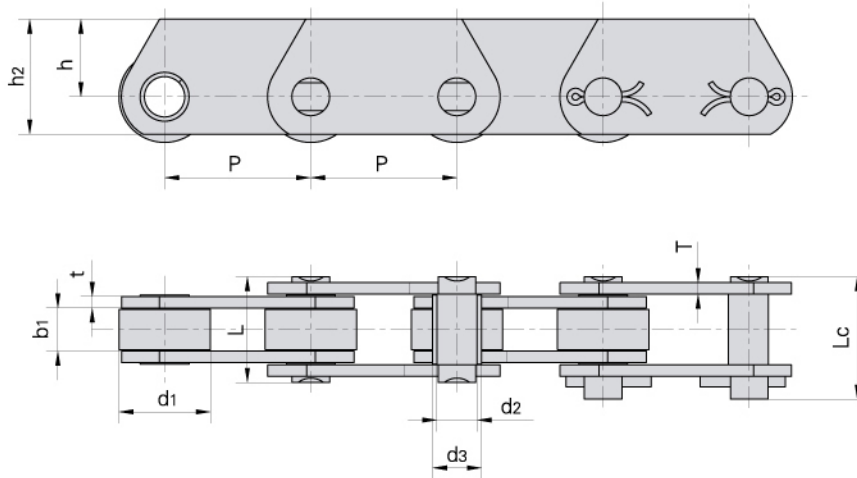


# Conveyor chains (ZE series)

## Förderketten (ZE Serie)



Donghua Chain No. Donghua Ketten Nr.	Pitch Teilung							Roller diameter Rollen-durchmesser	Pin diameter Bolzen-durchmesser	Bush diameter Buchsen-durchmesser
	P							d1	d2	d3
	mm							max mm	max mm	max mm
ZE40	50.8	63.5	76.2	88.9	101.6	127.0	152.4	31.75	14.0	17.0
ZE100	76.2	88.9	101.6	127.0	152.4	177.8	203.2	47.50	19.0	23.0
ZE160	101.6	127.0	152.4	177.8	203.2	228.6	254.0	66.70	26.9	33.0
ZE300	152.4	177.8	203.2	254.0	304.8	-	-	88.90	32.0	38.0

Donghua Chain No. Donghua Ketten Nr.	Width between inner plates Innere Breite	Pin length Bolzen-länge		Plate depth Laschen-höhe		Plate thickness Laschen-dicke	Breaking load Bruchkraft	
	b1	L	Lc	h2	h	t/T	Q	*Q
	min mm	max mm	max mm	max mm	max mm	max mm	min kN/LB	min kN/LB
ZE40	15.0	37.0	40.5	40.0	27.0	4.0	40.0/9091	60.0/13636
ZE100	19.0	45.0	50.5	50.0	30.0	5.0/4.0	100.0/22725	160.0/36360
ZE160	26.0	58.0	63.5	70.0	45.0	7.0/5.0	160.0/36360	200.0/45454
ZE300	38.0	84.0	94.0	90.0	60.0	10.0/8.0	300.0/68175	380.0/86362

\*Q Higher breaking load with hardened plates  
\*Q höhere Bruchkraft durch gehärtete Laschen.