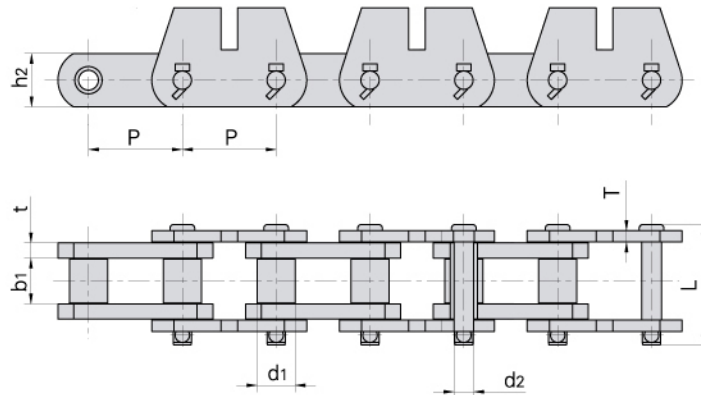
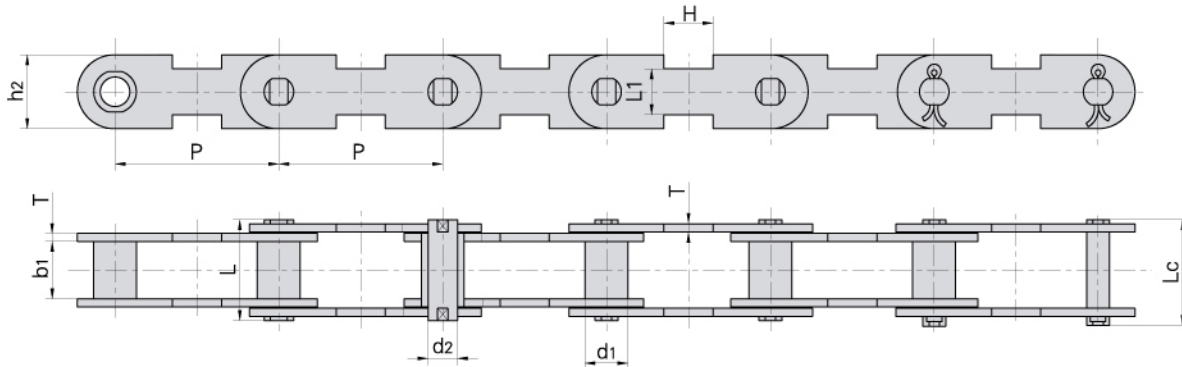


Special conveyor chains Sonderförderketten



Donghua Chain No. Donghua Ketten Nr.	Pitch	Roller diameter	Width between inner plates	Pin diameter	Pin length	Inner plate depth	Plate thickness	Ultimate tensile strength	Average tensile strength	Weight per meter
	Teilung	Rollen-durchmesser	Innere Breite	Bolzen-durchmesser	Bolzen-länge	Laschen-höhe	Laschen-dicke	Min. Bruchkraft	Durchschn. Bruchkraft	Gewicht
	P	d1 max	b1 min	d2 max	L max	h2 max	t/T max	Q min	Q0	q
	mm	mm	mm	mm	mm	mm	mm	kN/LB	kN	kg/m
P78.11F10	78.105	31.75	38.1	16.46	102.0	44.45	12.7/9.5	333.4/75000	350.0	16.73
P101.6F28	101.600	38.10	50.8	17.48	122.0	44.45	12.7	266.7/60000	293.3	21.66
P152F18	152.400	69.85	76.2	25.40	152.0	63.50	12.7	500.0/112480	650.0	43.23
P152F24	152.400	69.85	76.2	25.40	152.0	63.50	12.7	565.0/127100	650.0	38.38



Donghua Chain No. Donghua Ketten Nr.	Pitch	Bush diameter	Width between inner plates	Pin diameter	Pin length		Inner plate depth	Plate thickness	Attachment dimension		Ultimate tensile strength	Weight per meter
	Teilung	Buchsen-durchmesser	Innere Breite	Bolzen-durchmesser	Bolzen-länge	Lc	Laschen-höhe	Laschen-dicke	Befestigungs-laschen-abmessungen	Min. Bruchkraft	Gewicht	
	P	d1 max	b1 min	d2 max	L max	Lc max	h2 max	T max	H L1	Q min	q	
	mm	mm	mm	mm	mm	mm	mm	mm	mm mm	kN/LB	kg/m	
P100F49	100.0	20.0	25.0	14.0	51.5	55.0	35.0	5.0	30.0 28.0	90.0/20250	4.02	
P100F54	100.0	26.0	35.0	18.0	65.5	71.0	45.0	6.0	30.0 28.0	100.0/22500	6.90	