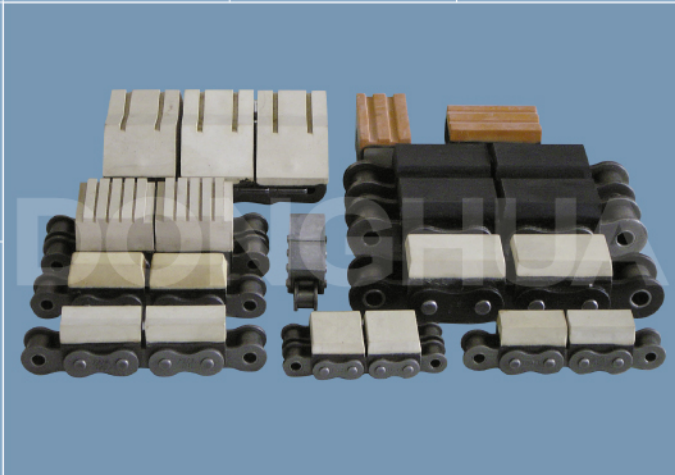
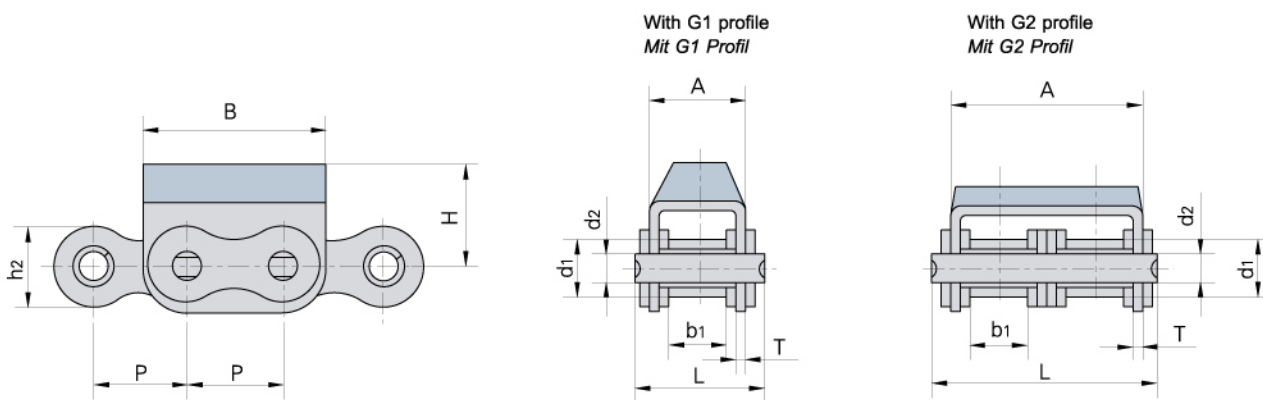


**ROLLER CHAIN WITH VULCANISED
ELASTOMER PROFILES**
*ROLLENKETTEN MIT
AUFVULKANISIERTEM GUMMIPROFII*



Roller chain with vulcanised elastomer profiles

Rollenketten mit aufvulkanisiertem Gummiprofil

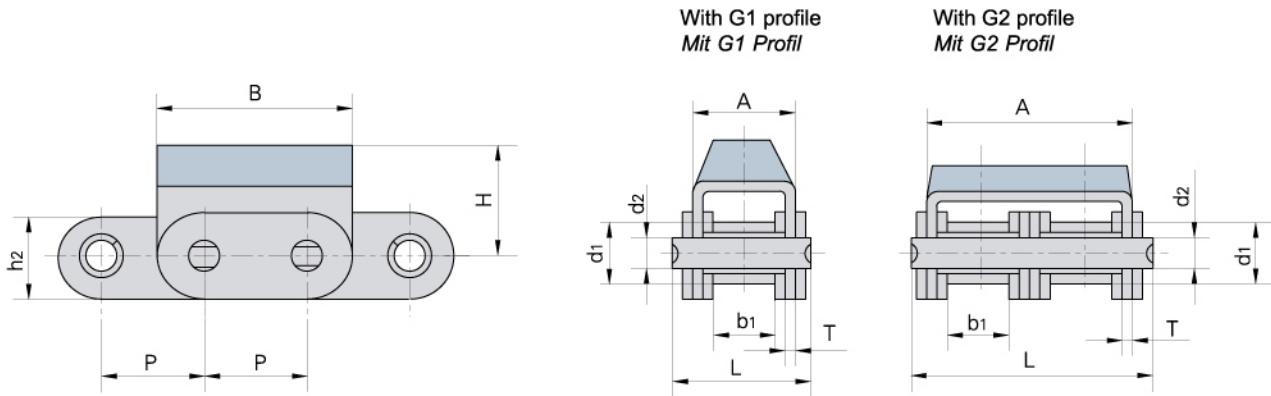


Donghua Chain No. Donghua Ketten Nr.	Pitch	Roller diameter	Width between inner plates	Pin diameter	Pin length	Plate and attachment dimension					Ultimate tensile strength	Weight per meter
	Teilung	Rollen-durchmesser	Innere Breite	Bolzen-durchmesser	Bolzen-länge	Laschen- und Befestigungslaschen-abmessungen					Min. Bruchkraft	Gewicht
	P	d1 max	b1 min	d2 max	L max	h2 max	A	B	H	T	Q min	q
	mm	mm	mm	mm	mm	mm	mm	mm	mm	mm	kN/LB	kg/m
08B-G1	12.700	8.51	7.75	4.45	20.0	11.8	14.6	24.2	12.3	1.60	18.0/4091	1.19
08B-G2	12.700	8.51	7.75	4.45	34.3	11.8	28.4	24.2	12.3	1.50	32.0/7273	2.07
10A-G1	15.875	10.16	9.40	5.08	24.5	15.09	17.5	31.0	17.0	1.60	21.8/4953	1.70
10B-G1	15.875	10.16	9.65	5.08	23.2	14.7	16.8	30.0	17.0	1.60	19.0/4318	1.62
10B-G2	15.875	10.16	9.65	5.08	39.7	14.7	33.3	30.0	17.0	1.50	44.5/10114	2.56
12B-G1	19.050	12.07	11.68	5.72	25.7	16.0	19.6	36.0	21.0	1.85	29.0/6591	2.01
12B-G2	19.050	12.07	11.68	5.72	45.3	16.0	39.1	36.0	16.0	1.85	57.8/13136	3.21
12A-G1	19.050	11.91	12.57	5.94	29.9	18.0	21.4	37.1	21.0	1.85	31.8/7153	2.55
12AF1-G1	19.050	11.91	17.00	5.94	34.0	18.0	26.0	36.0	16.0	1.85	31.8/7153	2.62
16A-G1	25.400	15.88	15.75	7.92	37.2	24.0	27.5	46.0	20.0	2.42	42.0/9545	3.97
16A-G2	25.400	15.88	15.75	7.92	68.0	24.0	57.2	46.0	20.0	2.42	84/18896	7.27
16B-G1	25.400	15.88	17.02	8.28	39.7	21.0	29.1	49.0	21.4	1.60	58.0/13047	3.83
20A-G1	31.750	19.05	18.90	9.53	46.8	30.0	34.0	57.6	28.0	3.10	86.7/19503	6.15
20B-G1	31.750	19.05	19.56	10.19	48.0	26.4	36.0	57.0	27.0	3.50	85.0/19318	6.19
24B-G1	38.100	25.40	25.40	14.63	61.6	33.2	47.0	72.6	34.0	4.50	160.0/36363	11.25

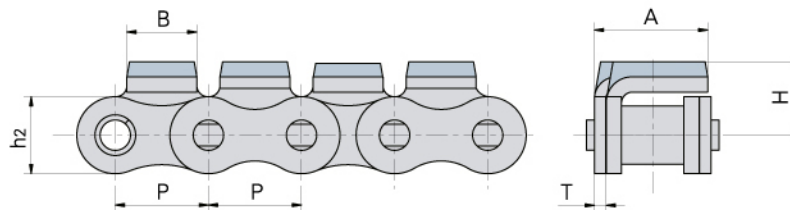
Roller chain with vulcanised elastomer profiles

Rollenketten mit aufvulkanisiertem Gummiprofil

FÖRDERKETTEN



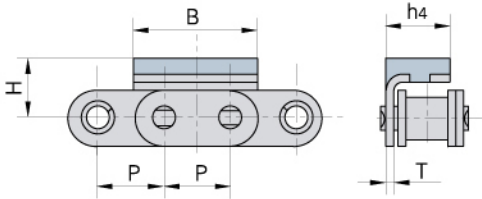
Donghua Chain No. Donghua Ketten Nr.	Pitch	Roller diameter	Width between inner plates	Pin diameter	Pin length	Plate and attachment dimension					Ultimate tensile strength	Weight per meter
	Teilung	Rollen-durchmesser	Innere Breite	Bolzen-durchmesser	Bolzen-länge	Laschen- und Befestigungslaschen-abmessungen					Min. Bruchkraft	Gewicht
	P	d1 max	b1 min	d2 max	L max	h2 max	A	B	H	T	Q min	q
	mm	mm	mm	mm	mm	mm	mm	mm	mm	mm	kN/LB	kg/m
C08B-G1	12.700	8.51	7.75	4.45	20.0	11.80	14.60	24.2	12.3	1.60	18.0/4091	1.30
C08B-G2	12.700	8.51	7.75	4.45	34.3	11.80	28.40	24.2	12.3	1.50	32.0/7273	2.29
C10B-G1	15.875	10.16	9.65	5.08	23.2	14.70	16.80	30.0	17.0	1.60	19.0/4318	1.75
C10B-G1F1	15.875	10.16	9.65	5.08	23.2	14.70	16.80	30.0	13.0	1.60	19.0/4318	1.70
C50-G2F1	15.875	10.16	9.40	5.08	42.5	15.09	35.60	27.0	17.0	1.60	43.6/9906	2.14
C50-G2	15.875	10.16	9.40	5.08	42.5	15.09	35.60	31.0	17.0	1.60	43.6/9906	2.14
C10B-G2	15.875	10.16	9.65	5.08	39.7	14.70	33.30	30.0	17.0	1.50	44.5/10114	2.95
C12B-G1	19.050	12.07	11.68	5.72	25.7	16.00	19.60	36.0	21.0	1.85	29.0/6591	2.15
C12B-G2	19.050	12.07	11.68	5.72	45.3	16.00	39.10	36.0	16.0	1.85	57.8/13136	3.48
C16A-G1	25.400	15.88	15.75	7.92	37.2	24.00	27.50	46.0	20.0	2.42	42.0/9545	4.34
C16B-G1	25.400	15.88	17.02	8.28	39.7	21.00	29.05	49.0	21.4	1.60	58.0/13047	4.11
C20B-G1	31.750	19.05	19.56	10.19	48.0	26.40	36.00	57.0	27.0	3.50	85.0/19318	6.65
C24B-G1	38.100	25.40	25.40	14.63	61.6	33.20	47.00	72.6	34.0	4.50	160.0/36363	11.63



Donghua Chain No. Donghua Ketten Nr.	P	A	B	H	h2	T
	mm	mm	mm	mm	mm	mm
16B-G1F7	25.4	31.0	19.1	20	21	3.1

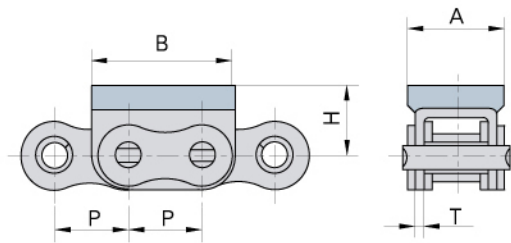
Roller chain with vulcanised elastomer profiles

Rollenketten mit aufvulkanisiertem Gummiprofil

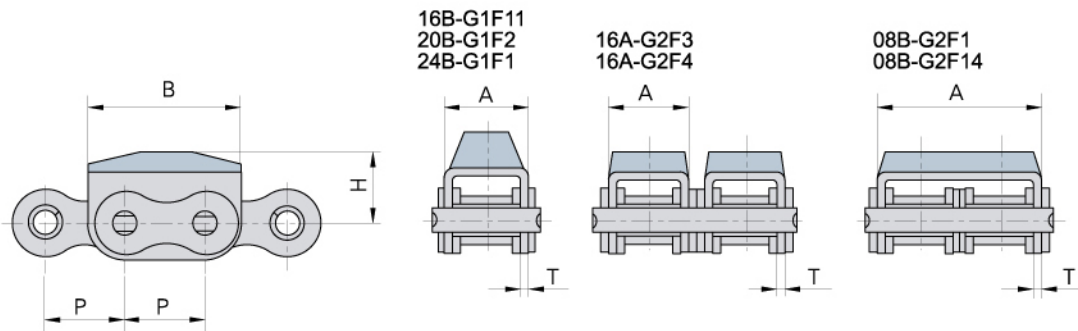
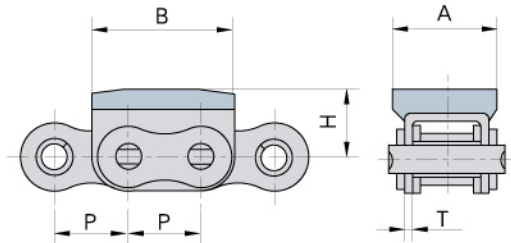


Donghua Chain No. Donghua Ketten Nr.	P	B	H	h4	T
	mm	mm	mm	mm	mm
06BF9	9.525	17.73	9.0	9.05	1.3

Donghua Chain No. Donghua Ketten Nr.	P	A	B	H	T
	mm	mm	mm	mm	mm
08B-G1F1	12.700	18.0	24.2	12.3	1.6
10B-G1F2	15.875	25.0	30.0	14.0	1.6
10B-G1F3	15.875	20.0	30.0	18.0	1.6
10B-G1F4	15.875	18.6	30.0	11.4	1.6



Donghua Chain No. Donghua Ketten Nr.	P	A	B	H	T
	mm	mm	mm	mm	mm
08B-G1F4	12.7	18.0	24.2	12.3	1.6

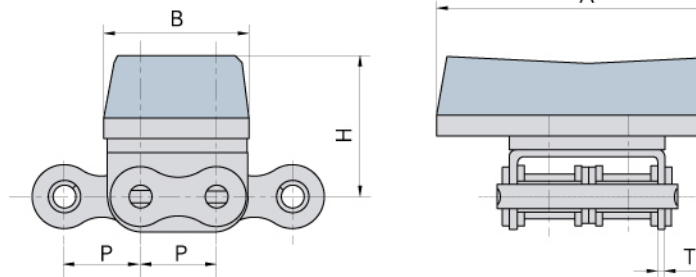
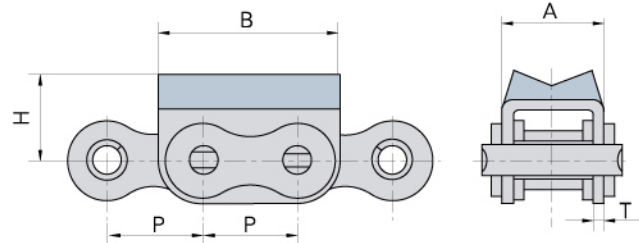


Donghua Chain No. Donghua Ketten Nr.	P	A	B	H	T
	mm	mm	mm	mm	mm
08B-G2F1	12.70	28.4	24.2	12.0	1.50
08B-G2F14	12.70	14.6	24.2	16.0	1.60
16A-G2F3	25.40	27.5	49.0	21.4	2.42
16A-G2F4	25.40	27.0	49.2	20.0	2.03
16B-G1F11	25.40	29.5	49.0	21.4	1.60
20B-G1F2	31.75	36.0	57.0	35.0	3.50
24B-G1F1	38.10	47.0	72.6	34.0	4.50

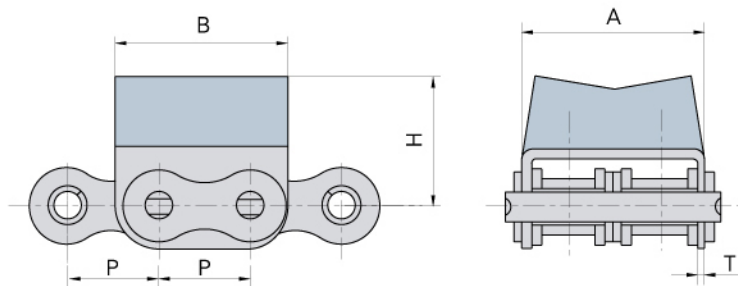
Roller chain with vulcanised elastomer profiles

Rollenketten mit aufvulkanisiertem Gummiprofil

Donghua Chain No. <i>Donghua Ketten Nr.</i>	P	A	B	H	T
	mm	mm	mm	mm	mm
12B-G1F1	19.05	19.6	36.0	18.0	1.85



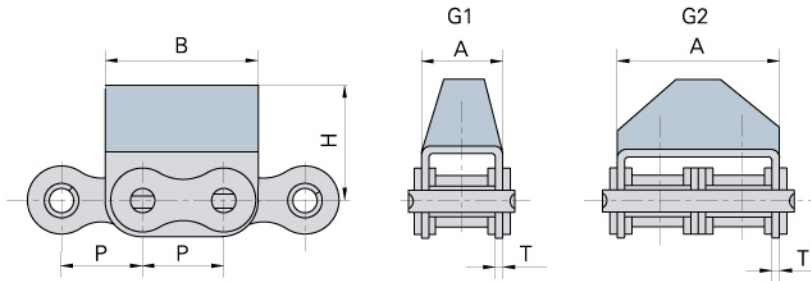
Donghua Chain No. <i>Donghua Ketten Nr.</i>	P	A	B	H	T
	mm	mm	mm	mm	mm
08B-G2F13	12.70	35.0	24.2	14.0	1.50
12B-G2F3	19.05	77.0	37.0	36.0	1.85
12B-G2F8	19.05	101.0	37.0	36.0	1.85



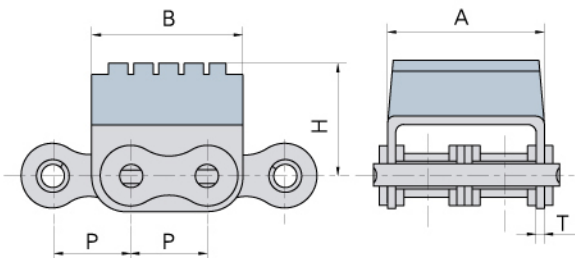
Donghua Chain No. <i>Donghua Ketten Nr.</i>	P	A	B	H	T
	mm	mm	mm	mm	mm
08B-G2F11	12.70	28.4	24.2	18.3	1.50
12B-G2F4	19.05	39.1	36.0	27.5	1.85

Roller chain with vulcanised elastomer profiles

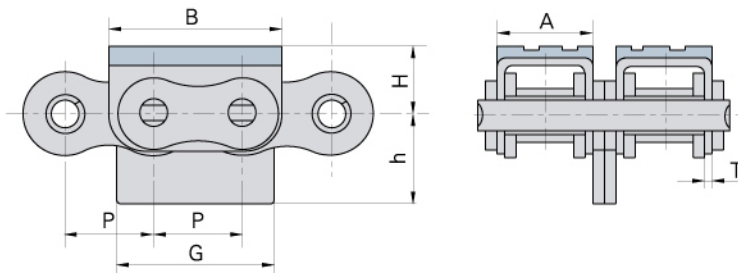
Rollenketten mit aufvulkanisiertem Gummiprofil



Donghua Chain No. <i>Donghua Ketten Nr.</i>	P	A	B	H	T
	mm	mm	mm	mm	mm
10B-G1F5	15.875	16.80	30.0	25.3	1.70
10A-G1F6	15.875	16.80	30.0	14.0	1.60
12B-G1F11	19.050	19.60	36.0	17.0	1.85
12A-G1F12	19.050	39.10	36.0	21.0	1.85
12B-G2F10	19.050	39.10	36.0	28.0	1.85
12A-G2F12	19.050	39.10	36.0	21.0	1.85
12B-G2F5	19.050	39.10	36.0	28.0	1.85
16A-G1F1	25.400	27.50	46.0	21.4	2.42
16B-G1F18	25.400	29.05	49.0	32.0	1.60
20B-G1F1	31.750	36.00	57.0	35.0	3.50



Donghua Chain No. <i>Donghua Ketten Nr.</i>	P	A	B	H	T
	mm	mm	mm	mm	mm
08B-G2F10	12.70	28.4	24.2	23.3	1.50
12B-G2F6	19.05	39.1	37.3	28.2	1.85

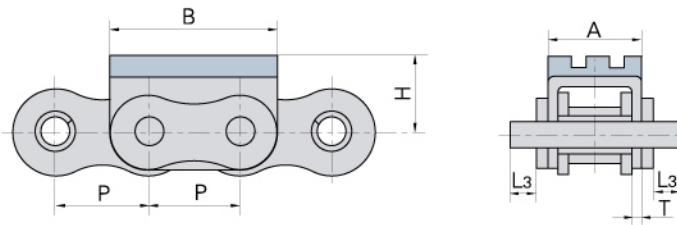


Donghua Chain No. <i>Donghua Ketten Nr.</i>	P	A	B	G	h	H	T
	mm	mm	mm	mm	mm	mm	mm
16A-G2F1	25.4	27.0	49.2	45.4	25.0	20.0	2.03

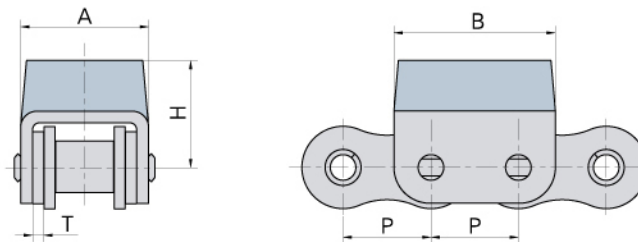
Roller chain with vulcanised elastomer profiles

Rollenketten mit aufvulkanisiertem Gummiprofil

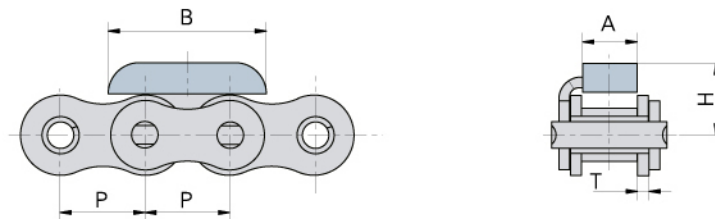
FÖRDERKETTEN



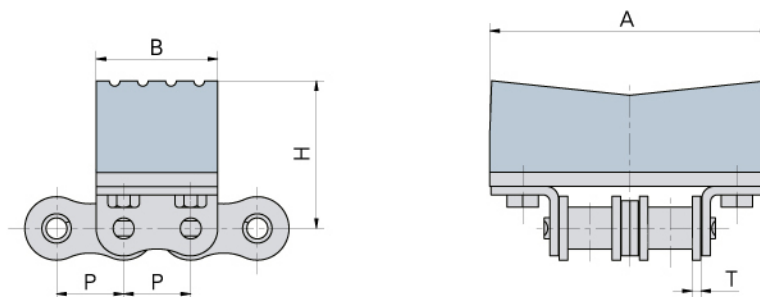
Donghua Chain No. Donghua Ketten Nr.	P	A	B	L3	H	T
	mm	mm	mm	mm	mm	mm
16A-G1F3	25.4	27.5	49.0	8.25	21.4	2.42



Donghua Chain No. Donghua Ketten Nr.	P	A	B	H	T
	mm	mm	mm	mm	mm
24A-G1F1	38.1	55.5	70	46.5	4.8



Donghua Chain No. Donghua Ketten Nr.	P	A	B	H	T
	mm	mm	mm	mm	mm
12A-G1F1	19.05	13.0	35.5	16.6	2.42



Donghua Chain No. Donghua Ketten Nr.	P	A	B	H	T
	mm	mm	mm	mm	mm
12AWK2-G2F1	19.05	80.0	35.0	41.9	2.42