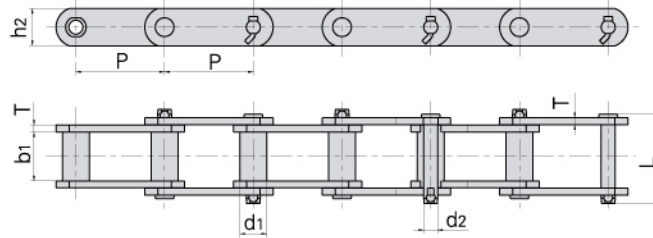
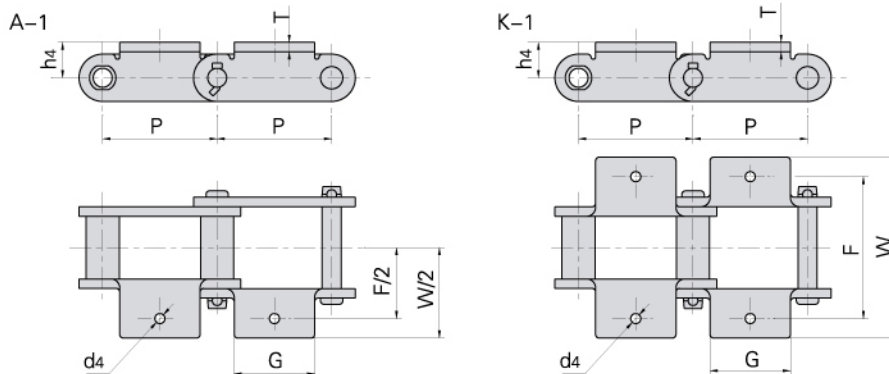


# Engineering bush chains Buchsenförderketten



ANSI Chain No.	Donghua Chain No.	Pitch	Bush diameter	Width between inner plates	Pin diameter	Pin length	Plate depth	Plate thickness	Ultimate tensile strength	Average tensile strength	Weight per meter
ANSI Ketten Nr.	Donghua Ketten Nr.	Teilung	Buchsen-durchmesser	Innere Breite	Bolzen-durchmesser	Bolzen-länge	Laschen-höhe	Laschen-dicke	Min. Bruchkraft	Durchschn. Bruchkraft	Gewicht
		P	d1 max	b1 min	d2 max	L max	h2 max	T max	Q min	Q0	q
		mm	mm	mm	mm	mm	mm	mm	kN/LB	kN	kg/m
S102B		101.60	25.40	54.10	15.88	111.3	38.10	9.7	160.0/35993	176.0	10.4
S110		152.40	32.00	54.10	15.88	111.3	38.10	9.7	160.0/35993	176.0	9.8
S111		120.90	36.60	66.80	19.05	131.2	50.80	9.7	214.0/48141	235.4	15.9
S131		78.11	32.00	33.50	15.88	90.5	38.10	9.7	160.0/35993	176.0	11.6
S150		153.67	44.70	84.30	25.40	164.6	63.50	12.7	378.0/85034	416.0	25.7
S188		66.27	22.40	26.90	12.70	68.6	28.40	6.4	102.0/22946	112.2	5.6
S856		152.40	44.40	76.20	25.40	154.9	63.50	12.7	365.0/82110	401.5	25.0
S857		152.40	44.40	76.20	25.40	154.9	82.60	12.7	432.0/97182	475.2	32.0
S859		152.40	60.40	95.30	31.75	188.5	101.60	16.0	690.0/155221	759.0	55.9
S864		177.80	60.40	95.30	31.75	188.5	101.60	16.0	690.0/155221	759.0	51.8
S102.5		102.36	34.93	57.15	19.05	115.0	44.45	9.5	214.0/48141	235.4	14.09
S110F1		152.40	31.75	53.48	15.88	111.0	44.45	9.5	160.0/35993	176.0	10.50
S111F1		120.90	36.51	66.68	19.05	125.0	50.80	9.5	214.0/48141	235.4	15.46

# Engineering bush chain with attachments Anbauteile für Buchsenförderketten



ANSI Chain No.	P	G	F	W	h4	d4	T
ANSI Ketten Nr.	mm	mm	mm	mm	mm	mm	mm
*S102B	101.60	77.0	121.0	180.8	25.4	10.2	9.7
S131	78.11	73.9	104.6	157.0	25.4	13.5	9.7
S188	66.27	54.6	95.2	131.6	20.6	10.2	6.4

\*S102B only with A-1 attachments  
\*S102B nur mit A-1 Befestigungslaschen