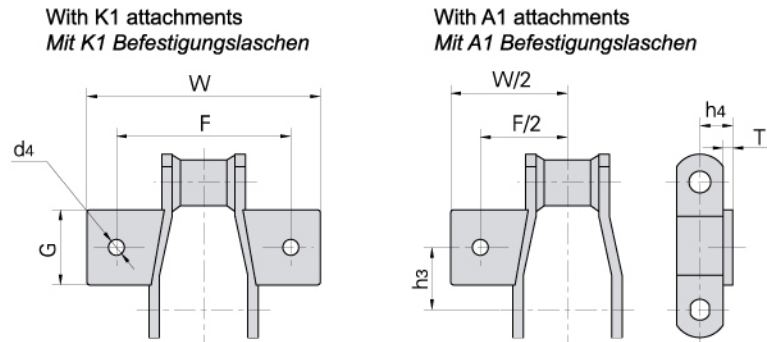
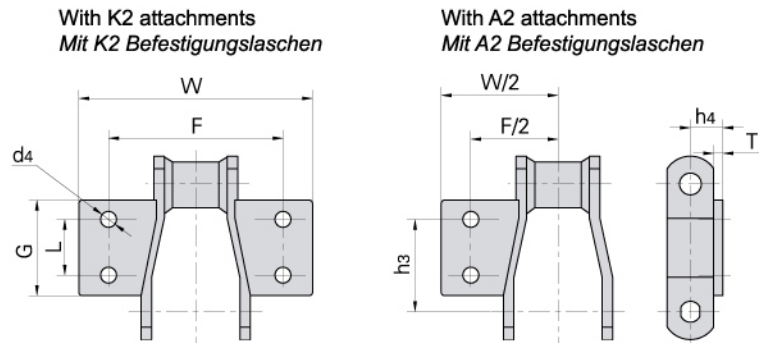


Welded steel chain with attachments

Befestigungsglaschen für geschweißte Rotarketten



Donghua Chain No. <i>Donghua Ketten Nr.</i>	h3	G	F	W	h4	d4	T
	mm	mm	mm	mm	mm	mm	mm
WR78 WH78	31.8	36.6	101.6	130.0	22.4	9.7	6.4
WR82 WH82	38.1	46.0	106.7	142.7	23.9	9.7	6.4

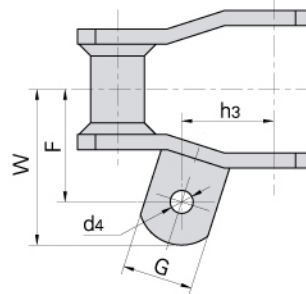
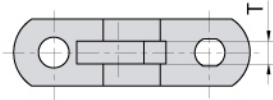


Donghua Chain No. <i>Donghua Ketten Nr.</i>	L	G	h3	F	W	h4	d4	T
	mm	mm	mm	mm	mm	mm	mm	mm
WR78 WH78	28.4	52.3	38.9	101.6	130.0	22.4	9.7	6.4
WR82 WH82	33.3	62.0	52.3	108.2	142.7	23.9	9.7	6.4
WR110 WH110	44.4	84.1	98.6	135.1	168.1	30.0	9.7	9.7
WR111 WH111	58.7	90.4	89.9	159.0	193.5	30.0	12.7	9.7
WR124 WH124	49.3	77.7	71.4	133.6	180.8	30.0	9.7	9.7
WR124H WH124H	49.3	80.8	73.2	133.6	165.6	39.6	12.7	12.7
WR132 WH132	69.8	80.8	106.2	190.5	234.7	39.6	12.7	12.7

Welded steel chain with attachments

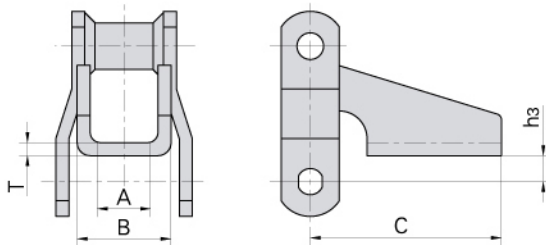
Befestigungslaschen für geschweißte Rotarketten

With A22 attachments
Mit A22 Befestigungslaschen



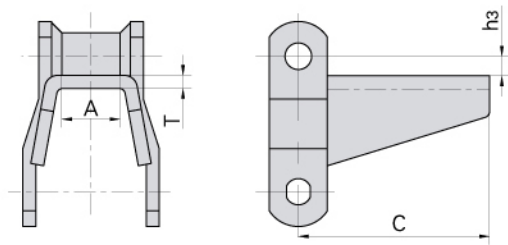
Donghua Chain No. <i>Donghua Ketten Nr.</i>	h3	G	F	W	d4	T
	mm	mm	mm	mm	mm	mm
WR78 WH78	33.3	30	47.8	65	9.7	9.7

With H1 attachments
Mit H1 Befestigungslaschen



Donghua Chain No. <i>Donghua Ketten Nr.</i>	h3	A	B	C	T
	mm	mm	mm	mm	mm
WR78 WH78	12.7	22.4	50.8	93.5	6.4
WR82 WH82	15.7	28.4	57.2	93.5	6.4

With H2 attachments
Mit H2 Befestigungslaschen

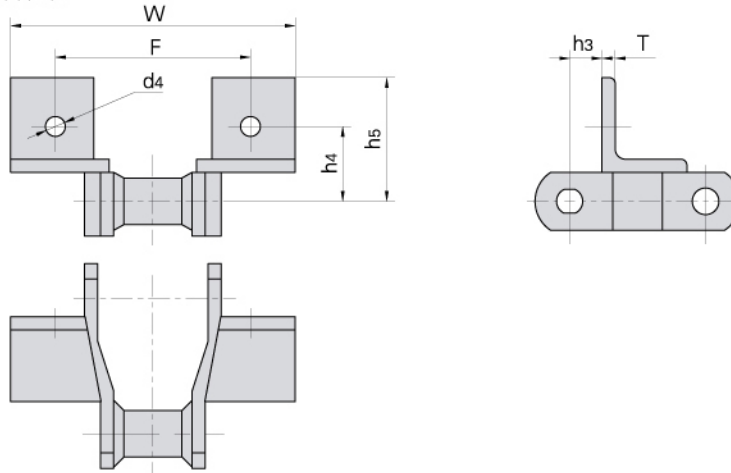


Donghua Chain No. <i>Donghua Ketten Nr.</i>	h3	A	C	T
	mm	mm	mm	mm
WR78 WH78	7.9	20.8	93.5	6.4
WR82 WH82	7.9	26.4	96.8	6.4

Welded steel chain with attachments

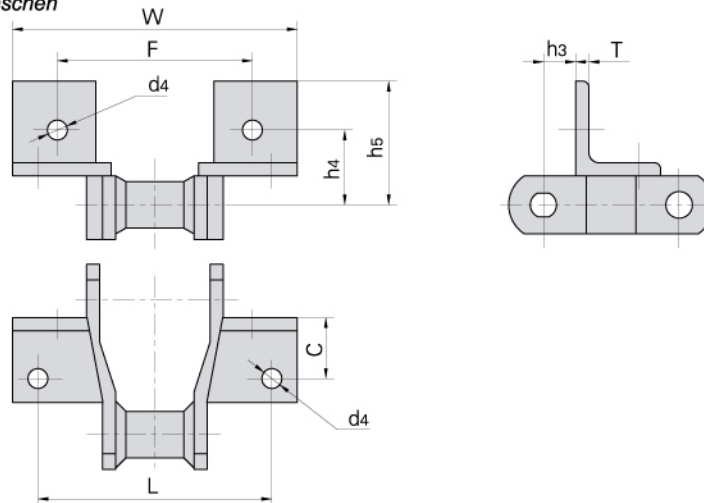
Befestigungsglaschen für geschweißte Rotarketten

With F2 attachments
Mit F2 Befestigungsglaschen



Donghua Chain No. <i>Donghua Ketten Nr.</i>	h3	h4	h5	F	W	d4	T
	mm	mm	mm	mm	mm	mm	mm
WR78 WH78	15.7	36.6	60.5	95.5	138.2	9.7	6.4

With F4 attachments
Mit F4 Befestigungsglaschen

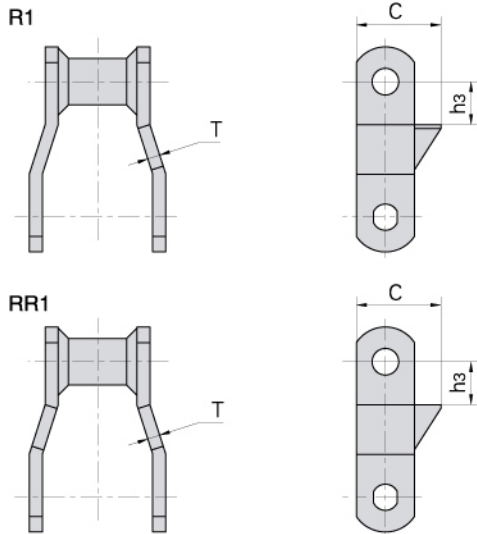


Donghua Chain No. <i>Donghua Ketten Nr.</i>	h3	h4	h5	L	C	F	W	d4	T
	mm	mm	mm	mm	mm	mm	mm	mm	mm
WR78 WH78	17.3	44.4	60.5	114.3	31.8	95.2	141.2	9.7	6.4
WR82 WH82	20.6	46.2	62.0	127.0	28.4	104.6	150.9	9.7	6.4
WR124 WH124	22.4	52.3	73.2	133.6	36.6	111.3	157.0	9.7	9.7

Welded steel chain with attachments

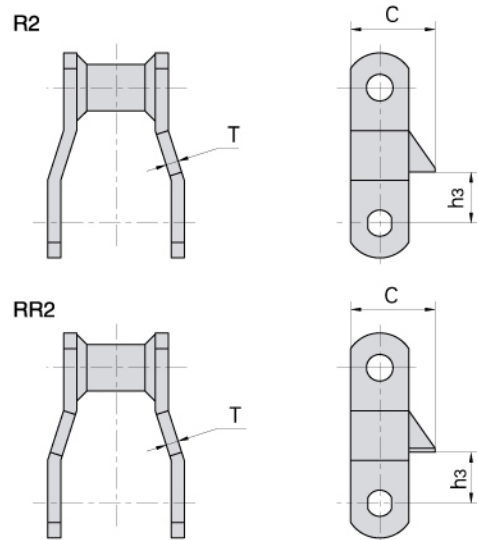
Befestigungsglaschen für geschweißte Rotaryketten

With R1 & RR1 attachments
Mit R1 & RR1 Befestigungsglaschen



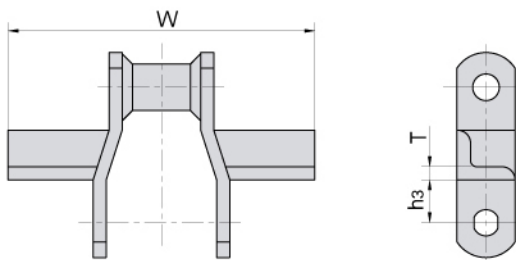
Donghua Chain No. <i>Donghua Ketten Nr.</i>	h3	C	T
	mm	mm	mm
WR78 WH78	17.3	41.1	6.4
WR82 WH82	22.4	49.3	6.4
WR124 WH124	31.8	49.3	9.7

With R2 & RR2 attachments
Mit R2 & RR2 Befestigungsglaschen



Donghua Chain No. <i>Donghua Ketten Nr.</i>	h3	C	T
	mm	mm	mm
WR78 WH78	17.3	41.1	6.4
WR82 WH82	22.4	49.3	6.4
WR124 WH124	31.8	49.3	9.7

With W1 attachments
Mit W1 Befestigungsglaschen



Donghua Chain No. <i>Donghua Ketten Nr.</i>	h3	W	T
	mm	mm	mm
WR78 WH78	19.1	153.9	6.4
WR82 WH82	23.9	166.6	6.4
WR124 WH124	30.0	217.4	6.4
WR124H WH124H	35.1	217.4	9.7
WR132 WH132	38.1	316.0	9.7