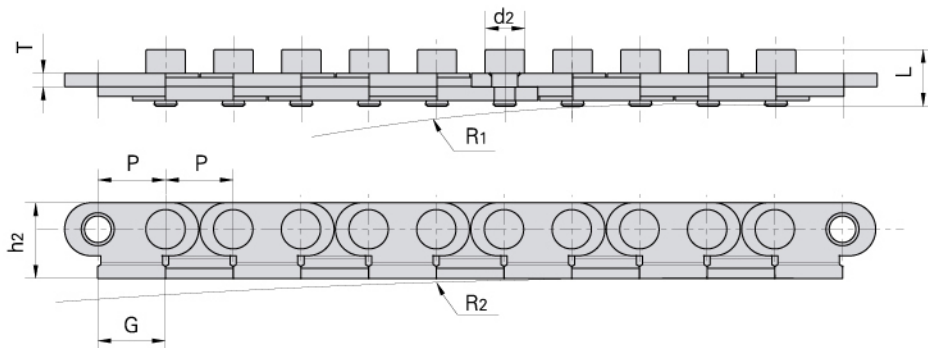
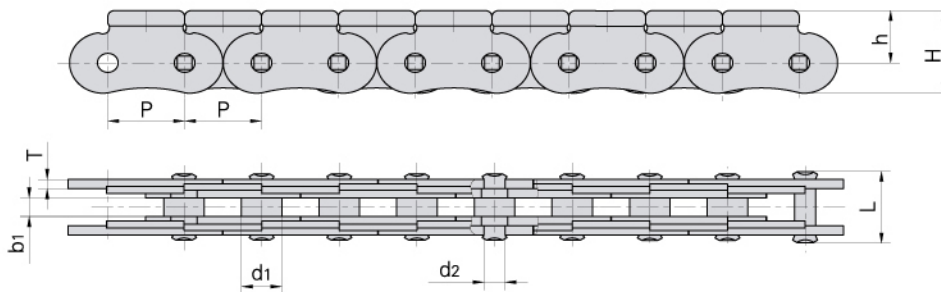


Anti-sidebow chains for pushing window

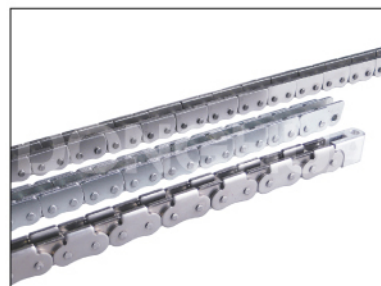
Rückensteife Ketten für Fensteröffner



Donghua Chain No. <i>Donghua Ketten Nr.</i>	Pitch <i>Teilung</i>	Pin diameter <i>Bolzen-durchmesser</i>	Pin length <i>Bolzen-länge</i>	Plate dimension <i>Laschen-abmessungen</i>			Side bow radius <i>Seitenbogen-radius</i>		Weight per meter <i>Gewicht</i>
	P	d2 max	L	h2 max	G max	T max	R1	R2	q
	mm	mm	mm	mm	mm	mm	mm	mm	kg/m
P12.75SB	12.75	7.4	10.65	14.25	12.8	2.5	500~800	1000	0.69



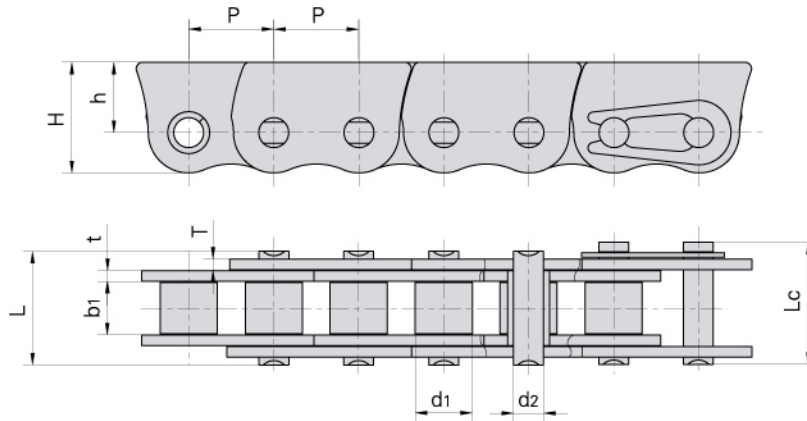
Donghua Chain No. <i>Donghua Ketten Nr.</i>	Pitch <i>Teilung</i>	Roller diameter <i>Rollen-durchmesser</i>	Width between inner plates <i>Innere Breite</i>	Pin diameter <i>Bolzen-durchmesser</i>	Pin length <i>Bolzen-länge</i>	Plate dimension <i>Laschen-abmessungen</i>			Ultimate tensile strength <i>Min. Bruchkraft</i>
	P	d1 max	b1	d2 max	L max	H max	h	T	Q min
	mm	mm	mm	mm	mm	mm	mm	mm	kN
P11.5SS	11.5	6.00	3.00	3.00	10.8	13.5	8.5	1.5/1.5	5.5



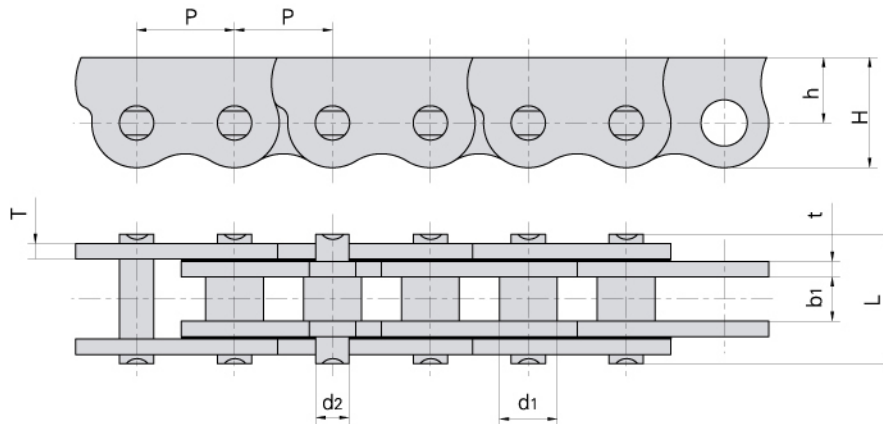
Anti-sidebow chains for pushing window

Rückensteife Ketten für Fensteröffner

ANTRIEBSKETTEN



Donghua Chain No. Donghua Ketten Nr.	Pitch	Roller diameter	Width between inner plates	Pin diameter	Pin length		Plate dimension			Ultimate tensile strength	Weight per meter
	Teilung	Rollen-durchmesser	Innere Breite	Bolzen-durchmesser	Bolzen-länge		Laschen-abmessungen			Min. Bruchkraft	Gewicht
	P	d1 max	b1 min	d2 max	L max	Lc max	H max	h	t/T max	Q min	q
	mm	mm	mm	mm	mm	mm	mm	mm	mm	kN	kg/m
08AF6	12.7	7.95	7.85	3.96	16.6	17.8	17.0	11.0	1.5	13.8	0.91
415BF4	12.7	7.75	4.88	4.09	16.4	17.8	17.0	11.0	1.3/3.1	12.0	1.07
08BSSF20	12.7	8.51	7.75	4.45	16.7	18.2	16.5	10.5	1.6	12.0	1.06



Donghua Chain No. Donghua Ketten Nr.	Pitch	Roller diameter	Width between inner plates	Pin diameter	Pin length	Plate dimension			Ultimate tensile strength
	Teilung	Rollen-durchmesser	Innere Breite	Bolzen-durchmesser	Bolzen-länge	Laschen-abmessungen			Min. Bruchkraft
	P	d1 max	b1	d2 max	L max	H max	h	t/T	Q min
	mm	mm	mm	mm	mm	mm	mm	mm	kN
06CF31SS	9.525	6.35	4.5	3.58	11.5	12.38	7.88	1.3	5.2
P12.7F3SS	12.700	7.50	5.5	4.45	15.6	14.30	8.50	2.03	12.0