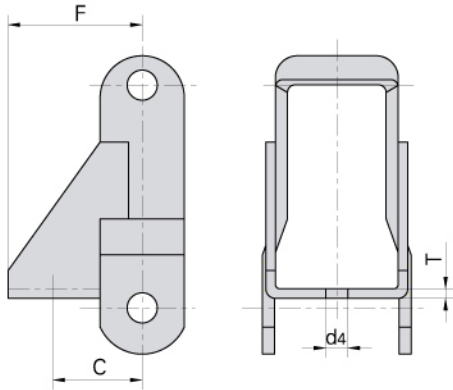


Steel pintle chain with attachments

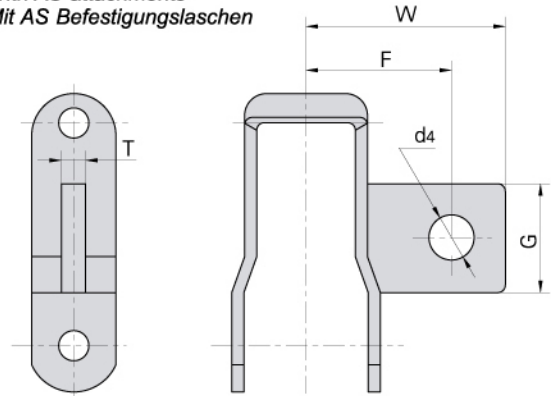
Anbauteile für Stahlbolzenketten

With C1 attachments
Mit C1 Befestigungslaschen



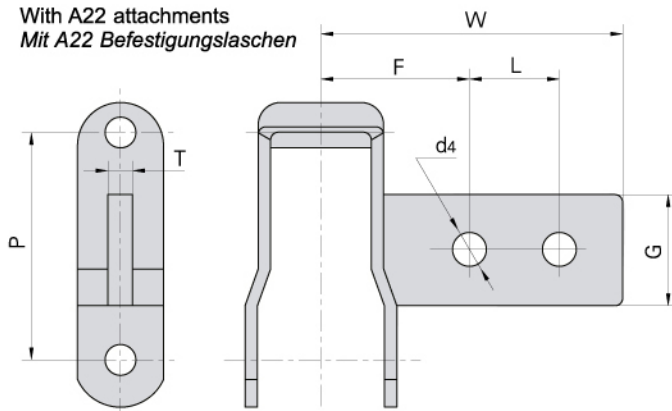
Donghua Chain No. Donghua Ketten Nr.	C	F	d4	T
	mm	mm	mm	mm
662	22.9	37.2	7.00	2.8
667H	25.4	38.9	7.00	4.8
667X	29.5	39.7	7.00	4.8

With AS attachments
Mit AS Befestigungslaschen



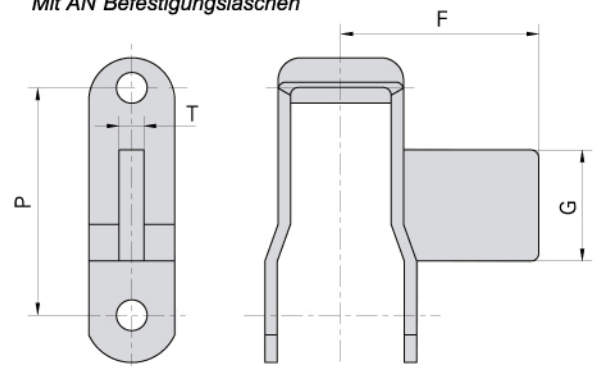
Donghua Chain No. Donghua Ketten Nr.	G	F	W	d4	T
	mm	mm	mm	mm	mm
662	24.2	35.9	48.4	7.00	4.3
667H	29.7	51.6	66.6	8.50	6.4
667X	29.7	51.6	69.0	8.50	7.9
667K	32.5	51.6	72.2	10.00	9.5
88K	32.5	51.6	72.2	10.00	9.5

With A22 attachments
Mit A22 Befestigungslaschen



Donghua Chain No. Donghua Ketten Nr.	P	G	F	L	W	d4	T
	mm	mm	mm	mm	mm	mm	mm
662	42.27	24.2	34.9	15.9	60.3	6.75	4.3
88C	66.27	32.5	54.0	63.5	136.5	9.92	9.5
88K	66.27	32.5	54.0	63.5	136.5	9.92	9.5

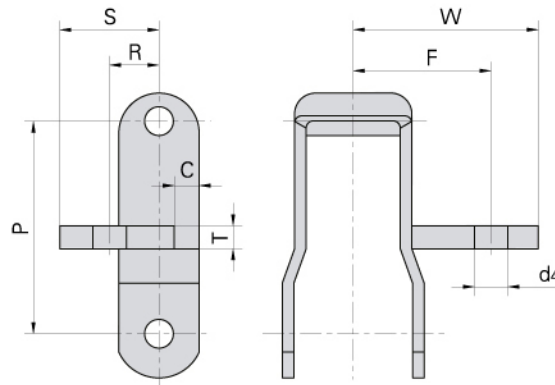
With AN attachments
Mit AN Befestigungslaschen



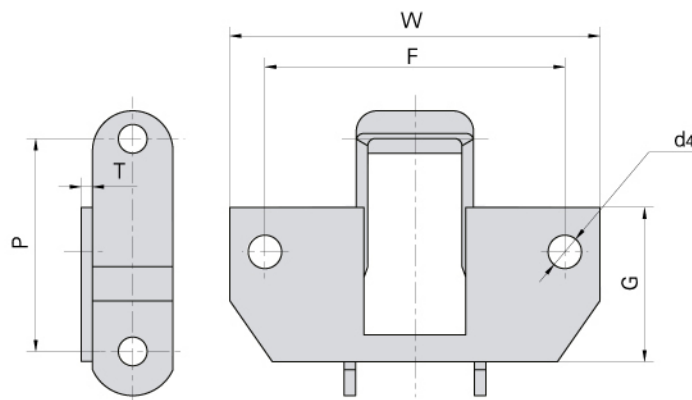
Donghua Chain No. Donghua Ketten Nr.	P	G	F	T
	mm	mm	mm	mm
662	42.27	24.2	47.6	4.3
667H	58.75	29.7	69.0	6.4
667X	57.15	29.7	68.3	7.9
667K	57.15	32.5	68.3	9.5
88K	66.27	32.5	68.3	9.5

Steel pintle chain with attachments

Anbauteile für Stahlbolzenketten



Donghua Chain No.	Attachment No.	P	R	S	F	W	d4	T	C
<i>Donghua Befestigungs-Ketten Nr. laschen Nr.</i>		mm	mm	mm	mm	mm	mm	mm	mm
662	G28	42.27	20.6	33.3	31.8	43.7	6.75	6.4	4.8
662	G30	42.27	19.1	33.3	33.3	48.0	8.33	6.4	4.8
662	G30S	42.27	19.1	33.3	33.3	48.0	8.73	6.4	4.8
667H	G27S	58.75	19.1	31.8	51.6	65.9	9.92	6.4	6.4

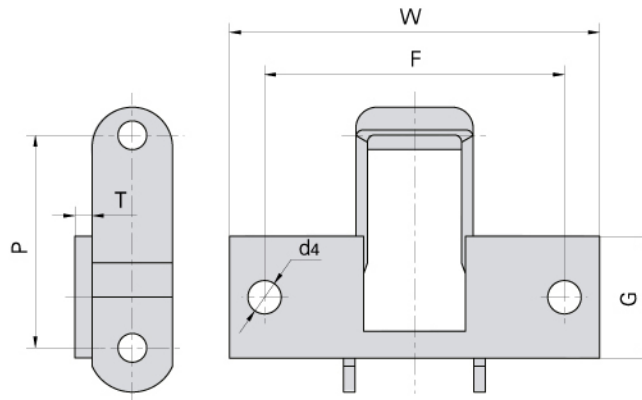


Donghua Chain No.	Attachment No.	P	G	F	W	d4	T
<i>Donghua Befestigungs-Ketten Nr. laschen Nr.</i>		mm	mm	mm	mm	mm	mm
662	K1	42.27	34.9	62.7	82.6	6.75	3.2
662	K19	42.27	34.9	50.8	71.4	6.75	3.2
667X	K1	57.15	34.9	62.7	82.6	6.75	3.2
667H	K1	58.75	34.9	62.7	82.6	6.75	3.2

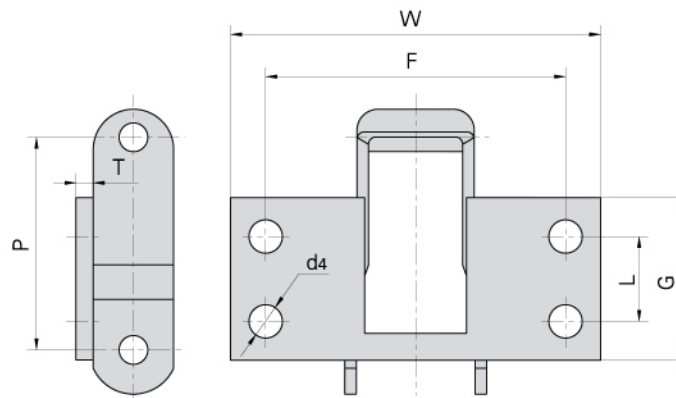
Steel pintle chain with attachments

Anbauteile für Stahlbolzenketten

FÖRDERKETTEN



Donghua Chain No.	Attachment No.	P	G	F	W	d4	T
<i>Donghua Ketten Nr.</i>	<i>Befestigungs-laschen Nr.</i>	mm	mm	mm	mm	mm	mm
88K	K1C	66.27	47.6	95.3	127.0	9.92	4.8
88K	K1M	66.27	47.6	101.6	127.0	9.92	4.8
88K	K1P	66.27	47.6	96.8	127.0	9.92	4.8



Donghua Chain No.	Attachment No.	P	L	G	F	W	d4	T
<i>Donghua Ketten Nr.</i>	<i>Befestigungs-laschen Nr.</i>	mm	mm	mm	mm	mm	mm	mm
88K	K2C	66.27	31.8	57.2	106.4	127.0	9.92	4.8
88K	K2M	66.27	31.8	57.2	101.6	127.0	9.92	4.8
88K	K2P	66.27	31.8	57.2	92.0	127.0	9.92	4.8