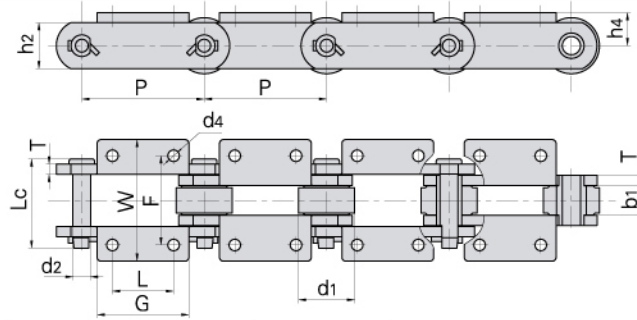


SUGAR CHAINS

KETTEN FÜR DIE ZUCKERINDUSTRIE

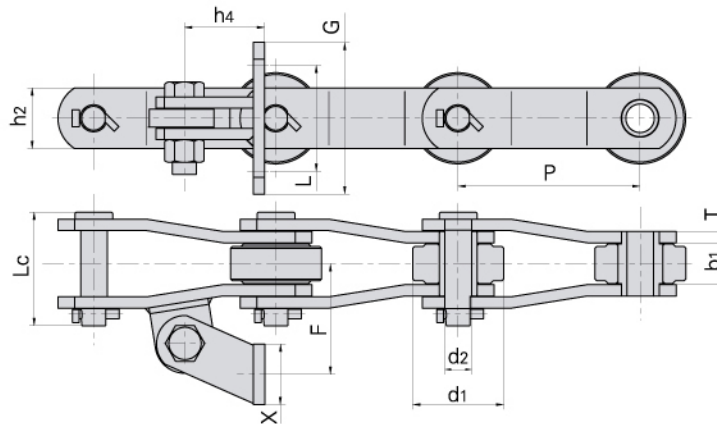


Sugar chains Ketten für die Zuckerindustrie (Zuckerrohr-Förderketten)



Donghua Chain No. Donghua Ketten Nr.	P	G	L	F	W	h4	d4
	mm	mm	mm	mm	mm	mm	mm
DH 9063	152.4	114.3	76.2	111.13	165.86	44.45	14.3
DH 2198	152.4	114.3	76.2	111.25	152.40	41.40	14.3

Donghua Chain No. Donghua Ketten Nr.	Pitch	Roller diameter	Width between inner plates	Pin diameter	Pin length	Plate depth	Plate thickness	Ultimate tensile strength	Average tensile strength	Weight per meter
	Teilung	Rollen-durchmesser	Innere Breite	Bolzen-durchmesser	Bolzen-länge	Laschen-höhe	Laschen-dicke	Min. Bruchkraft	Durchschn. Bruchkraft	Gewicht
	P	d1 max	b1 min	d2 max	Lc max	h2 max	T max	Q min	Q0	q
	mm	mm	mm	mm	mm	mm	mm	kN/LB	kN	kg/m
DH 9063	152.4	76.20	38.1	23.83	103.2	61.00	10.3	445.0/100000	489.0	27.5
DH 2198	152.4	69.85	38.1	22.23	111.2	57.15	12.7	404.5/91000	445.0	27.9



Donghua Chain No. Donghua Ketten Nr.	P	G	L	F	X	h4
	mm	mm	mm	mm	mm	mm
DH 09060	152.4	114.3	82.6	88.9	50.8	111.25
DH 1796	152.4	114.3	82.6	88.9	50.8	111.25

Donghua Chain No. Donghua Ketten Nr.	Pitch	Roller diameter	Width between inner plates	Pin diameter	Pin length	Plate depth	Plate thickness	Ultimate tensile strength	Average tensile strength
	Teilung	Rollen-durchmesser	Innere Breite	Bolzen-durchmesser	Bolzen-länge	Laschen-höhe	Laschen-dicke	Min. Bruchkraft	Durchschn. Bruchkraft
	P	d1 max	b1 min	d2 max	Lc max	h2 max	T max	Q min	Q0
	mm	mm	mm	mm	mm	mm	mm	kN/LB	kN
DH 09060	152.4	69.85	38.1	19.05	96.6	50.80	9.65	270/60740	297.0
DH 1796	152.4	69.85	38.1	22.35	100.0	57.15	9.65	445/100100	489.5