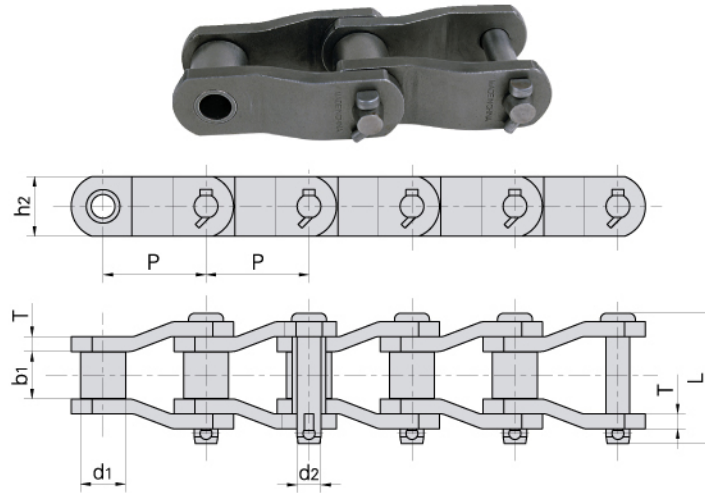


Heavy duty cranked-link transmission chains

Rotaryketten



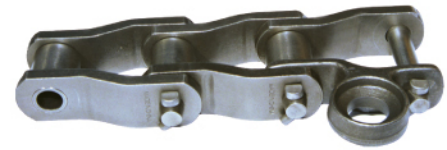
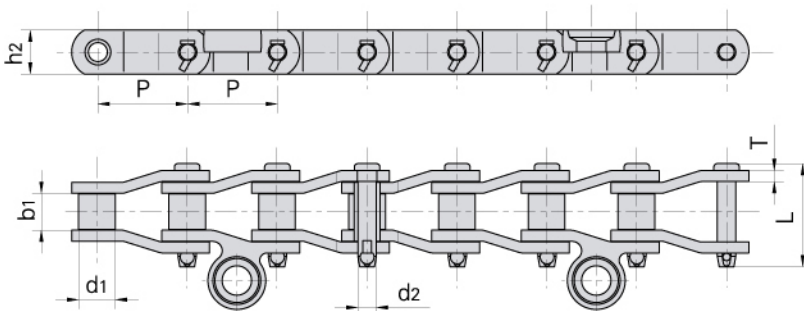
Donghua Chain No. <i>Donghua Ketten Nr.</i>	Pitch	Roller diameter	Width between inner plates	Pin diameter	Pin length	Plate depth	Plate thickness	Ultimate tensile strength	Average tensile strength	Weight per meter
	<i>Teilung</i>	<i>Rollen-durchmesser</i>	<i>Innere Breite</i>	<i>Bolzen-durchmesser</i>	<i>Bolzen-länge</i>	<i>Laschen-höhe</i>	<i>Laschen-dicke</i>	<i>Min. Bruchkraft</i>	<i>Durchschn. Bruchkraft</i>	<i>Gewicht</i>
	P	d1 max	b1 min	d2 max	L max	h2	T	Q min	Q0	q
	mm	mm	mm	mm	mm	mm	mm	kN/LB	kN	kg/m
2010	63.50	31.75	38.10	15.90	89.0	47.8	7.9	250.0/56818	270.0	13.53
2510	78.10	31.75	36.90	16.00	94.8	40.0	8.0	271.0/61590	292.6	10.72
2510H	78.10	31.75	36.90	16.50	95.3	45.0	9.5	280.4/63727	302.8	12.70
2512(MXS3011)	77.90	41.28	39.60	19.05	100.0	57.0	9.7	340.0/77272	367.2	18.40
2512F2	77.90	41.28	38.50	19.05	103.4	60.0	10.0	400.0/90909	420.0	20.28
2814	88.90	44.45	36.60	22.23	117.6	58.0	12.7	471.0/105955	507.6	25.70
3214	103.20	44.45	48.00	22.00	123.5	55.0	13.0	476.0/108180	514.0	23.60
3214F1	103.20	44.45	49.20	23.90	129.0	60.0	14.0	666.4/151450	700.0	26.70
3315	103.45	45.24	49.30	23.85	130.0	63.5	14.2	550.0/125000	594.0	27.71
3618	114.30	57.15	52.30	27.97	138.0	79.2	14.2	760.0/172727	820.8	41.20
4020	127.00	63.50	69.90	31.78	165.7	88.9	15.7	987.0/224300	1069.2	48.60
2184	152.40	76.20	35.00	22.20	96.0	51.0	9.5	330.0/75000	378.0	18.17
MXS882	66.27	22.23	28.58	11.10	68.5	28.5	6.4	115.6/26272	124.8	5.30
MXS3075	78.10	31.75	38.10	16.46	93.5	44.5	9.7	334.0/75909	360.7	13.45
MXS1242	103.20	44.45	49.20	22.23	124.5	57.0	12.8	623.0/141591	672.8	24.63
SS588	66.27	22.23	28.60	11.11	63.7	28.6	6.4	130.0/29545	144.0	5.46
SS588F1	66.27	22.23	27.00	11.11	62.0	28.6	6.4	88.9/20205	97.8	5.39
SS588F2	66.27	22.23	27.00	9.53	59.0	25.4	5.6	84.46/19195	91.2	4.26
SS568H	77.90	41.30	39.70	19.05	97.6	57.0	9.5	340.0/77272	367.2	19.80
SS40H(P)	78.11	31.75	38.10	15.88	97.0	41.5	9.5	250.0/56818	280.0	12.60
SS124	103.20	44.45	49.20	22.23	127.2	57.0	12.7	560.0/127272	590.0	22.57
SS15F1	103.45	45.24	47.60	23.85	133.0	60.0	15.0	650/147726	616.0	27.34
SS1245	103.45	45.20	49.60	23.80	129.4	60.0	14.5	550/125000	605.0	31.19
SS635H	114.30	57.20	52.40	27.94	137.0	76.2	14.5	760/172727	836.0	37.80

Heavy duty cranked-link transmission chains

Rotaryketten

ANTRIEBSKETTEN

Donghua Chain No. <i>Donghua Ketten Nr.</i>	Pitch	Roller diameter	Width between inner plates	Pin diameter	Pin length	Plate depth	Plate thickness	Ultimate tensile strength	Average tensile strength	Weight per meter
	<i>Teilung</i>	<i>Rollen-durchmesser</i>	<i>Innere Breite</i>	<i>Bolzen-durchmesser</i>	<i>Bolzen-länge</i>	<i>Laschen-höhe</i>	<i>Laschen-dicke</i>	<i>Min. Bruchkraft</i>	<i>Durchschn. Bruchkraft</i>	<i>Gewicht</i>
	P	d1 max	b1 min	d2 max	L max	h2	T	Q min	Q0	q
	mm	mm	mm	mm	mm	mm	mm	kN/LB	kN	kg/m
2010H	63.50	31.75	31.75	15.88	97.0	41.5	9.5	250/56815	275.0	11.91
SS2065	50.80	28.58	32.50	15.05	79.5	38.0	7.9	220/49998	242.0	12.14
4020SH	127.00	63.50	69.90	31.78	165.7	88.9	15.7	1332.8/302893	1246.0	48.60
2814F1	88.90	44.45	36.90	22.23	117.6	60.0	13.5	556/126358	611.0	24.20
2814F2	88.90	44.45	38.60	22.23	119.6	58.0	12.7	559/127040	614.9	25.40
SH1245	103.45	45.30	49.60	23.80	130.0	60.0	14.5	722/164084	794.0	31.00
P153	153.619	34.93	53.98	17.48	107.0	44.5	9.5	150/34090	165.0	10.90
P153F2	153.619	34.93	53.98	17.48	100.0	44.5	8.0	150/34090	165.0	9.80
2510F1	78.10	31.75	36.60	16.00	88.9	38.1	8.0	124.5/28295	137.0	9.93
SS635HF1	114.30	57.20	52.40	27.94	137.0	76.2	17.5	964/219085	1060.0	37.90
RO6042F1	152.40	76.20	76.30	44.00	184.0	120.0	19.0	1500/340900	1600.0	63.60
SS568HF2	77.90	31.75	39.70	19.05	98.5	57.0	9.5	447/101588	491.0	16.90
RO1205	127.00	63.50	65.00	31.75	147.6	82.5	14.2	872/198177	955.0	42.93
2510F2	78.10	31.75	36.60	15.75	88.0	38.1	8.0	225/51135	248.0	11.70
*MX603	76.20	22.50	38.00	14.00	88.0	40.0	8.0	147/33408	161.0	9.20
4824	152.40	76.20	74.60	38.10	186.0	100.0	20.0	1600/363632	1700.0	69.80
R3112	50.80	28.70	31.00	14.20	73.9	41.4	6.4	168.9/38385	185.0	10.70
MXS3075F1	78.10	33.00	38.10	16.46	94.5	44.5	9.7	334/75907	365.8	14.00
MXS3075F2	78.10	31.75	38.10	17.81	90.0	45.0	8.0	333.2/75726	365.8	12.20



Donghua Chain No. <i>Donghua Ketten Nr.</i>	Pitch	Roller diameter	Width between inner plates	Pin diameter	Pin length	Plate depth	Plate thickness	Ultimate tensile strength	Average tensile strength
	<i>Teilung</i>	<i>Rollen-durchmesser</i>	<i>Innere Breite</i>	<i>Bolzen-durchmesser</i>	<i>Bolzen-länge</i>	<i>Laschen-höhe</i>	<i>Laschen-dicke</i>	<i>Min. Bruchkraft</i>	<i>Durchschn. Bruchkraft</i>
	P	d1 max	b1 min	d2 max	L max	h2	T	Q min	Q0
	mm	mm	mm	mm	mm	mm	mm	kN/LB	kN
SS40SL	78.105	31.78	31.75	15.90	89.15	38.0	9.5	250.0/56818	266.88

*Bushing chain: d1 in the table indicate the external diameter of the bushing
 *Buchsenketten: In dieser Tabelle zeigt d1 den Außendurchmesser der Buchsen.