

RICE HARVESTER CHAINS

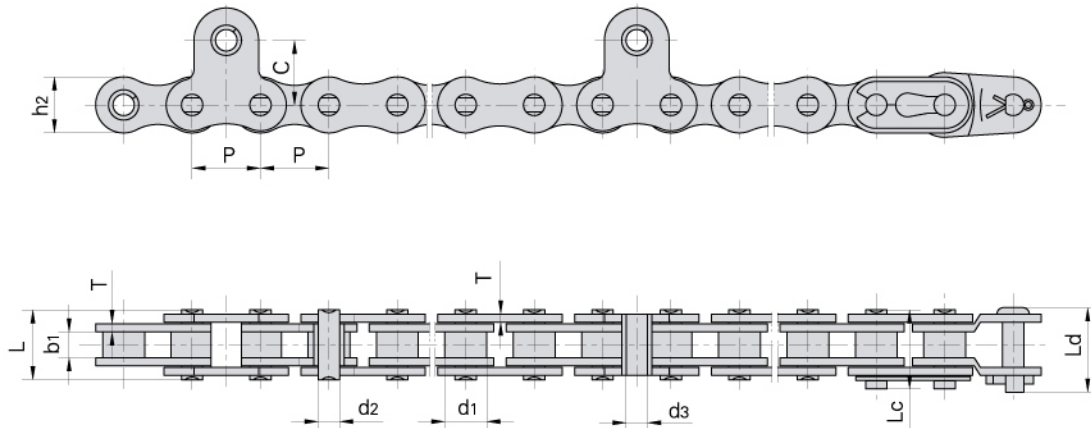
KETTEN FÜR DIE REISERNTEMASCHINE



Rice harvester chains

Ketten für die Reiserntemaschine

Hoisting chains
Elevatorketten

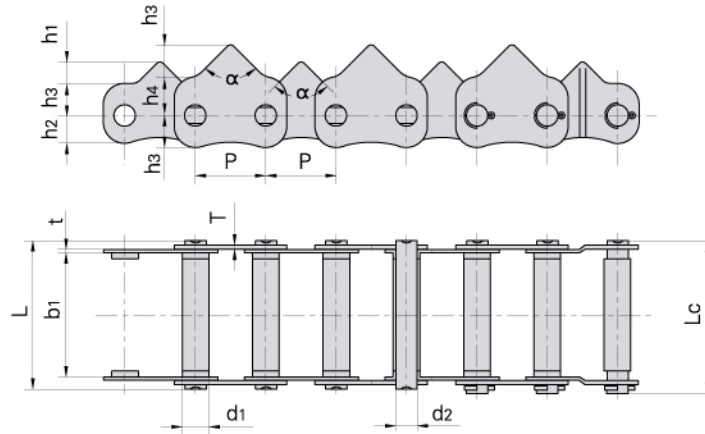


Donghua Chain No. Donghua Ketten Nr.	Pitch	Roller diameter	Width between inner plates	Pin diameter	Pin length			Inner plate depth	Plate thickness	Attachment dimension		Ultimate tensile strength	Average tensile strength
	Teilung	Rollen-durchmesser	Innere Breite	Bolzen-durchmesser	Bolzen-länge			Innen-laschen-höhe	Laschen-dicke	Befestigungs-laschen-abmessungen		Min. Bruchkraft	Durchschn. Bruchkraft
	P	d1 max	b1 min	d2 max	L max	Lc max	Ld max	h2 max	T max	d3 nom	C	Q min	Q0
	mm	mm	mm	mm	mm	mm	mm	mm	mm	mm	mm	kN/LB	kN
415F1	12.7	7.77	4.90	3.64	11.0	12.1	12.95	9.5	1.1	4.02	12.0	6.86/1559	8.1
415F2	12.7	7.77	4.90	3.64	11.0	12.1	12.95	9.5	1.1	4.02	12.0	6.86/1559	8.1
415F3	12.7	7.77	4.90	3.64	11.0	12.1	12.95	9.5	1.1	4.02	12.0	6.86/1559	8.1
415F4	12.7	7.77	4.68	3.62	11.8	-	-	9.6	1.3	4.00	12.0	10.30/2341	12.1
415F5	12.7	7.77	4.68	3.63	11.8	13.0	14.00	9.6	1.3	4.00	12.0	10.30/2341	12.1
415S	12.7	7.77	4.80	3.96	12.8	14.3	15.70	12.0	1.5	4.02	12.0	15.69/3566	16.3
415S-A	12.7	7.77	4.90	3.96	12.8	14.3	15.70	12.0	1.5	4.02	12.0	13.80/3136	16.3
415SF1	12.7	7.77	4.80	3.96	13.0	14.5	-	10.4	1.5	4.50	12.0	13.93/3166	16.3
415SF2	12.7	7.77	4.80	3.96	13.0	14.5	-	10.4	1.5	4.50	12.0	13.93/3166	16.3
415SF3	12.7	7.77	4.80	3.96	12.8	14.3	15.70	12.0	1.5	4.02	12.0	15.69/3566	16.3
415SF4	12.7	7.77	4.80	3.96	13.0	14.5	15.70	12.0	1.5	4.00	12.0	13.80/3136	16.3
420JF1	12.7	7.77	6.25	3.96	14.7	16.1	18.50	12.0	1.5	4.00	12.0	16.00/3636	18.8
415SF6	12.7	7.77	4.80	3.96	13.0	14.5	15.70	10.4	1.5	4.00	12.0	13.93/3166	16.3

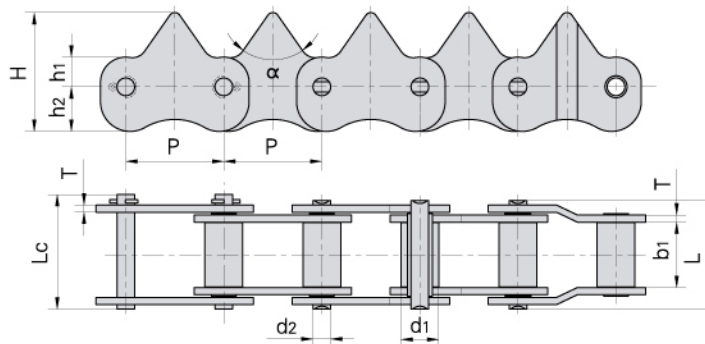
Rice harvester chains

Ketten für die Reiserntemaschine

Plucking conveyor chain 3558T
3558T Einzugsketten



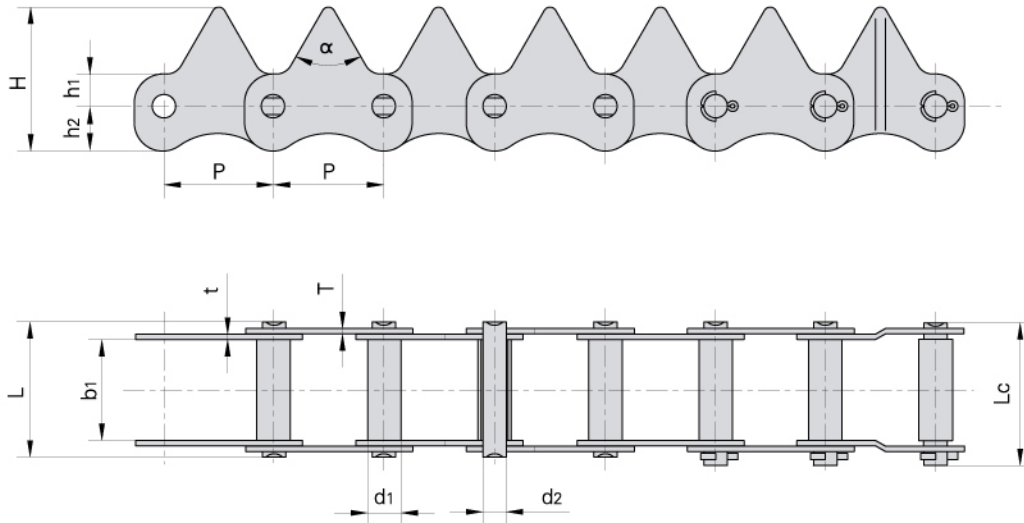
Donghua Chain No. Donghua Ketten Nr.	Pitch	Roller diameter	Width between inner plates	Pin diameter	Pin length		Tooth angle	Plate dimension				Plate thickness	Ultimate tensile strength	Average tensile strength	
	Teilung	Rollen-durchmesser	Innere Breite	Bolzen-durchmesser	Bolzen-länge	L	Lc	Zahn-winkel	Laschen-abmessungen				Laschen-dicke	Min. Bruchkraft	Durchschn. Bruchkraft
	P	d1 max	b1 min	d2 max	L max	Lc max	α	h1	h2	h3	h4	t/T max	Q min	Q0	
	mm	mm	mm	mm	mm	mm		mm	mm	mm	mm	mm	kN/LB	kN	
3558T-48001	35	10.1	58	7.0	69.4	72.0	90°	10	13	15	18	1.6/2.03	19.6/4457	23.0	
3558T-48001F1	35	12.6	58	10.0	69.4	71.2	90°	10	13	15	18	1.6/2.03	19.6/4457	23.0	
3558T-48002	35	12.8	58	7.0	69.4	72.0	90°	10	13	15	18	1.6/2.03	19.6/4457	23.0	



Donghua Chain No. Donghua Ketten Nr.	Pitch	Roller diameter	Width between inner plates	Pin diameter	Pin length		Tooth angle	Plate dimension			Plate thickness	Ultimate tensile strength	Average tensile strength	
	Teilung	Rollen-durchmesser	Innere Breite	Bolzen-durchmesser	Bolzen-länge	L	Lc	Zahn-winkel	Laschen-abmessungen			Laschen-dicke	Min. Bruchkraft	Durchschn. Bruchkraft
	P	d1 max	b1 min	d2 max	L max	Lc max	α	h1	h2	H	T	Q min	Q0	
	mm	mm	mm	mm	mm	mm		mm	mm	mm	mm	kN/LB	kN	
3322-63201	33	12.7	22.0	5.94	36.4	38.4	70°	10	15	40	2.42	19.6/4455	22.5	
3325-23160	33	12.8	25.0	7.00	35.9	38.7	60°	10	13	43	1.60	21.6/4909	24.5	
3330-28361	33	12.8	30.0	7.00	40.9	43.7	60°	10	13	43	1.60	21.6/4909	24.5	
3330-27150	33	12.8	30.0	7.00	40.9	43.7	70°	10	13	38	1.60	21.6/4909	24.5	

Rice harvester chains

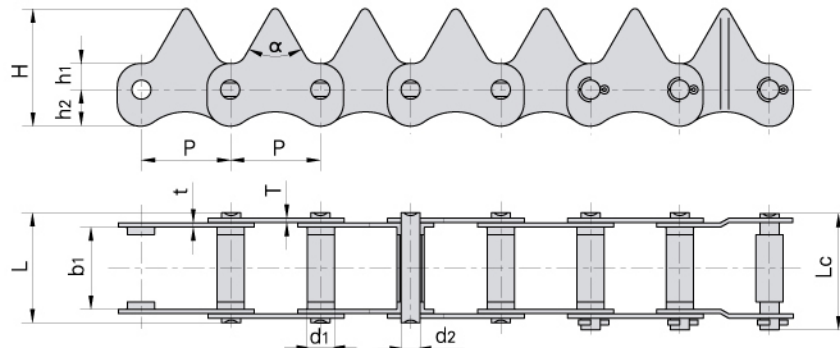
Ketten für die Reiserntemaschine



Donghua Chain No. Donghua Ketten Nr.	Pitch	Roller diameter	Width between inner plates	Pin diameter	Pin length		Tooth angle	Plate dimension			Plate thickness	Ultimate tensile strength	Average tensile strength
	Teilung	Rollen-durchmesser	Innere Breite	Bolzen-durchmesser	L	Lc	Zahn-winkel	Laschen-abmessungen			Laschen-dicke	Min. Bruchkraft	Durchschn. Bruchkraft
	P	d1 max	b1 min	d2 max	L max	Lc max	α	h1	h2	H	t/T max	Q min	Q0
	mm	mm	mm	mm	mm	mm		mm	mm	mm	mm	kN/LB	kN
3318.5-A0680106	33	10.1	18.5	7.0	29.0	31.0	70°	10	13	38	1.60	19.60/4455	22.5
3325-4LB1.35	33	10.1	25.0	7.0	37.0	39.5	90°	10	13	38	2.03	19.60/4455	24.0
3325-4LB1.45	33	10.1	25.0	7.0	35.6	37.6	70°	10	13	38	1.70	19.60/4455	22.5
3325-3572	33	10.1	25.0	7.0	36.8	39.0	70°	10	13	38	2.0/1.6	19.60/4455	23.0
3325-1E6410	33	10.1	25.0	7.0	36.8	39.0	90°	10	13	38	2.0/1.6	19.60/4455	23.0
3325-3555	33	10.1	25.0	7.0	36.8	39.0	70°	10	13	38	2.0/1.6	19.60/4455	22.5
3330-4LB1.45	33	10.1	30.0	7.0	40.3	42.7	60°	10	13	43	1.70	19.60/4455	22.5
3330-4LB1.45-01	33	10.1	30.0	7.0	40.3	42.7	70°	10	13	38	1.70	19.60/4455	22.5
3340-3572	33	10.1	40.0	7.0	51.8	54.0	70°	10	13	38	2.0/1.6	19.60/4455	23.0
3340-1E8570	33	10.1	40.0	7.0	49.2	52.5	90°	18	10	38	1.6/1.2	19.60/4455	22.0
3350-3555	33	10.1	50.0	7.0	60.2	62.5	70°	18	10	43	1.60	19.60/4455	22.5
3325-49200	33	12.8	25.0	7.0	35.9	38.7	70°	10	13	38	1.60	21.60/4909	24.5
3358-1E8350	33	10.1	58.0	7.0	68.0	72.0	90°	18	10	38	1.60	19.60/4455	22.5
3358-1E7070	33	10.1	58.0	7.0	68.0	-	90°	18	10	38	1.60	19.60/4455	22.5
3358-6365	33	10.1	58.0	7.0	68.2	70.5	70°	18	10	43	1.60	19.60/4455	22.5
3540-0875	35	10.1	40.0	7.0	50.2	52.5	70°	18	10	43	1.60	19.60/4455	22.5
3540-3572	35	10.1	40.0	7.0	50.2	52.5	70°	10	10	35	1.60	19.60/4455	22.5
3558-4LB1.35	35	13.2	58.0	9.4	70.0	73.2	90°	15	18	47	2.03	22.54/5123	27.1
3550-5080	35	10.1	50.0	7.0	60.2	62.5	70°	18	10	38	1.60	19.60/4455	22.5

Rice harvester chains

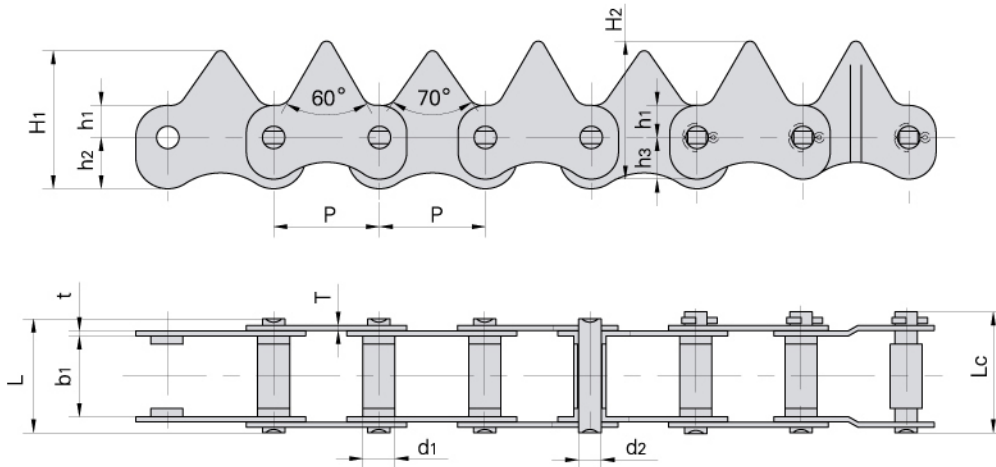
Ketten für die Reiserntemaschine



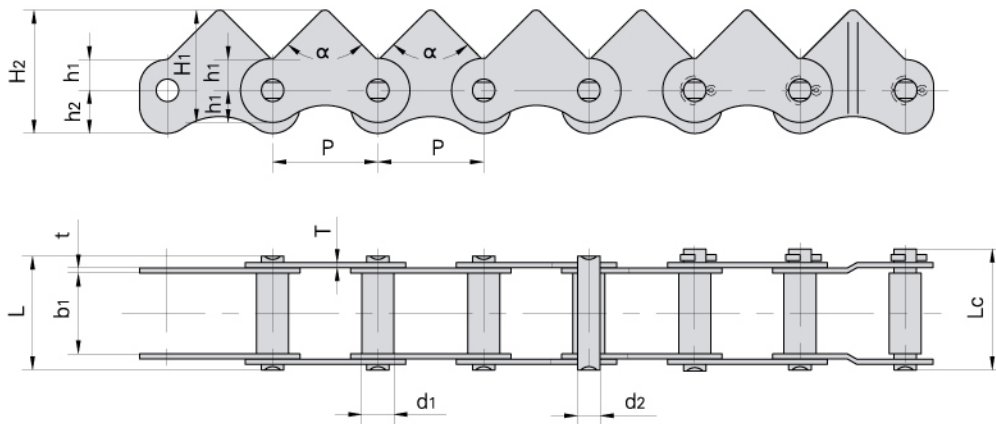
Donghua Chain No. Donghua Ketten Nr.	Pitch	Roller diameter	Width between inner plates	Pin diameter	Pin length		Tooth angle	Plate dimension			Plate thickness	Ultimate tensile strength	Average tensile strength
	Teilung P	Rollen-durchmesser d1 max	Innere Breite b1 min	Bolzen-durchmesser d2 max	L max	Lc max	Zahn-winkel α	Laschen-abmessungen h1 h2 H	Laschen-dicke t/T max	Min. Bruchkraft Q min	Durchschn. Bruchkraft Q0		
	mm	mm	mm	mm	mm	mm		mm	mm	mm	mm	kN/LB	kN
3318T-5010	33	10.1	18.0	7.0	28.5	31.4	70°	10 13 38	1.6	19.6/4455	22.5		
3322T-52800	33	10.1	22.0	7.0	31.5	34.5	70°	10 13 38	1.6	17.64/4010	20.2		
3322T-28241	33	12.1	21.3	7.0	31.8	34.1	60°	10 13 43	1.6	19.60/4455	22.5		
3325T-23151	33	10.1	25.0	7.0	35.5	37.7	60°	10 13 43	1.6	19.60/4455	22.5		
3325T-49201	33	10.1	25.0	7.0	35.5	37.7	90°	10 13 38	1.6	19.60/4455	22.5		
3325T-A0680110	33	10.1	25.0	7.0	35.5	37.7	70°	10 13 38	1.6	19.60/4455	22.5		
3325T-A0680110F1	33	12.6	25.0	7.0	35.5	37.7	70°	10 13 38	1.6	19.60/4455	22.5		
3325T-3650	33	10.1	25.0	7.0	35.5	37.7	70°	10 13 38	1.6	19.60/4455	22.5		
3330T-27151	33	10.1	30.0	7.0	40.5	42.8	70°	10 13 38	1.6	19.60/4455	22.5		
3330T-28241	33	10.1	30.0	7.0	40.5	42.8	60°	10 13 43	1.6	19.60/4455	22.5		
3330T-28241F1	33	12.6	30.0	7.0	40.5	42.8	60°	10 13 43	1.6	19.60/4455	22.5		
3330T-28241F2	33	12.1	29.3	7.0	39.8	42.1	60°	10 13 43	1.6	19.60/4455	22.5		
3330T-3501	33	10.1	30.0	7.0	40.5	42.8	70°	10 13 38	1.6	19.60/4455	22.5		
3330T-59750	33	10.1	30.0	7.0	39.5	42.5	60°	10 13 43	1.6	19.60/4455	22.5		
3330T-5028	33	10.1	30.0	7.0	40.9	43.7	60°	10 13 43	1.6/2.0	19.60/4455	22.5		
3330T-52200	33	10.1	30.0	7.0	40.9	43.7	60°	10 13 43	1.6/2.0	19.60/4455	22.5		
3335T-27151	33	10.1	35.0	7.0	45.5	47.8	70°	10 13 38	1.6	19.60/4455	22.5		
3358T-3330	33	10.1	58.0	7.0	68.0	72.0	90°	18 10 38	1.6	19.60/4455	22.5		
3358T-53871	33	10.1	58.0	7.0	68.0	70.8	75°	18 10 43	1.6	19.60/4455	22.5		
3358T-6365	33	10.1	58.0	7.0	68.2	72.0	75°	18 10 43	1.6	19.60/4455	22.5		
3330T-28242	33	12.8	30.0	7.0	40.5	42.8	60°	10 13 43	1.6	19.6/4455	22.5		
3330T-27152	33	12.8	30.0	7.0	40.5	42.8	70°	10 13 38	1.6	19.6/4455	22.5		
3350T-744	33	10.1	50.0	7.0	60.2	63.0	90°	18 10 38	1.6	19.6/4455	22.5		
3325T-699	33	10.1	25.0	7.0	36.2	39.3	90°	10 13 38	2.0/1.6	19.6/4455	22.5		
3325T-3817	33	10.1	25.0	7.0	36.2	39.0	90°	10 13 38	2.0/1.6	19.61/4455	22.5		
3330T-3817	33	12.1	30.0	7.0	40.5	42.8	60°	10 13 43	1.6	19.61/4455	22.5		
3330T-53981	33	12.8	30.0	7.0	40.5	42.8	70°	10 13 38	1.6	19.6/4455	22.5		
3330T-5441	33	10.1	30.0	7.0	40.9	43.7	60°	10 13 43	1.6/2.0	19.61/4455	22.5		
3358T-6365F1	33	12.8	58.0	7.0	68.2	72.0	75°	18 10 43	1.6	19.6/4455	22.5		
3325T-5060	33	10.1	25.0	7.0	36.8	39.0	70°	10 13 38	1.6/2.0	19.61/4455	22.5		
3350T-6379	33	10.1	50.0	7.0	60.2	62.5	75°	18 10 43	1.6	19.6/4455	22.5		

Rice harvester chains

Ketten für die Reiserntemaschine



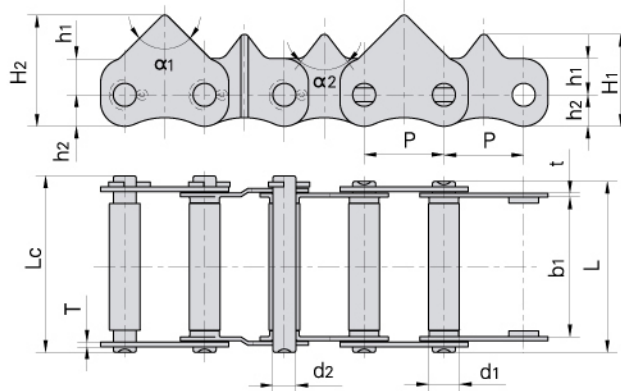
Donghua Chain No. Donghua Ketten Nr.	Pitch	Roller diameter	Width between inner plates	Pin diameter	Pin length		Plate dimension					Plate thickness	Ultimate tensile strength	Average tensile strength
	Teilung	Rollen-durchmesser	Innere Breite	Bolzen-durchmesser	Bolzen-länge		Laschen-abmessungen					Laschen-dicke	Min. Bruchkraft	Durchschn. Bruchkraft
	P	d1 max	b1 min	d2 max	L max	Lc max	h1	h2	H1	h3	H2	t/T max	Q min	Q0
mm	mm	mm	mm	mm	mm	mm	mm	mm	mm	mm	mm	mm	kN/LB	kN
3322T-63203	33	10.1	22	7.0	33.0	35.7	10	16	36	13	43	1.6/2.0	19.6/4455	23.0
3330T-66103	33	10.1	30	7.0	40.9	43.7	10	16	36	13	43	1.6/2.0	19.6/4455	23.0



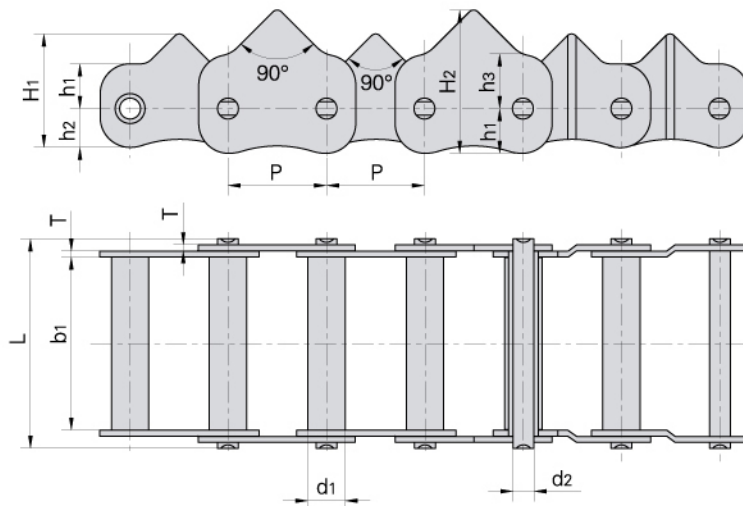
Donghua Chain No. Donghua Ketten Nr.	Pitch	Roller diameter	Width between inner plates	Pin diameter	Pin length		Tooth angle	Plate dimension					Plate thickness	Ultimate tensile strength	Average tensile strength
	Teilung	Rollen-durchmesser	Innere Breite	Bolzen-durchmesser	Bolzen-länge		Zahn-winkel	Laschen-abmessungen					Laschen-dicke	Min. Bruchkraft	Durchschn. Bruchkraft
	P	d1 max	b1 min	d2 max	L max	Lc max	α	h1	H1	h2	H2	t/T max	Q min	Q0	
mm	mm	mm	mm	mm	mm	mm	mm	mm	mm	mm	mm	mm	kN/LB	kN	
3325-1E8350	33	10.1	25	7.0	34.2	37.8	90°	10	35	13	38	1.6/1.2	19.6/4455	22.0	
3325-1E6110	33	10.1	25	7.0	34.2	37.0	70°	10	35	13	38	1.6/1.2	19.6/4455	22.0	

Rice harvester chains

Ketten für die Reiserntemaschine



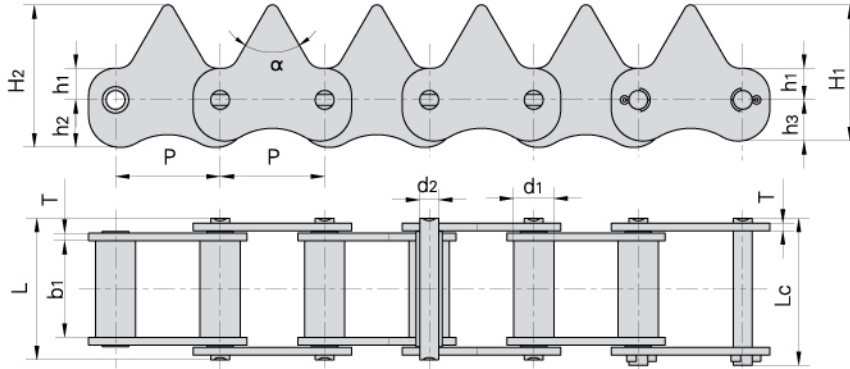
Donghua Chain No. Donghua Ketten Nr.	Pitch	Roller diameter	Width between inner plates	Pin diameter	Pin length		Tooth angle	Plate dimension				Plate thickness	Ultimate tensile strength	Average tensile strength
	Teilung	Rollen-durchmesser	Innere Breite	Bolzen-durchmesser	Bolzen-länge		Zahn-winkel	Laschen-abmessungen				Laschen-dicke	Min. Bruchkraft	Durchschn. Bruchkraft
	P	d1 max	b1 min	d2 max	L max	Lc max	α_1 / α_2	h1	h2	H1	H2	t/T max	Q min	Q0
	mm	mm	mm	mm	mm	mm		mm	mm	mm	mm	mm	kN/LB	kN
3358T-5K151	33	12.8	58	9.5	69.7	72.7	90° /75°	15	13	38	46	1.6/2.03	19.62/4460	22.5
3358T-3653	33	12.8	58	9.5	69.7	72.7	90° /90°	16	12	38	48	1.6/2.03	19.6/4455	22.5
3358T-762	33	12.8	58	9.5	69.7	72.9	90° /75°	15	13	38	46	1.6/2.03	19.6/4455	22.5



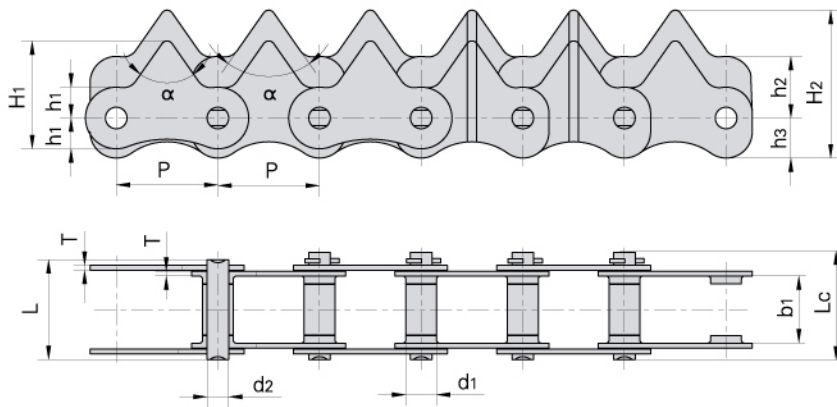
Donghua Chain No. Donghua Ketten Nr.	Pitch	Roller diameter	Width between inner plates	Pin diameter	Pin length		Plate dimension				Plate thickness	Ultimate tensile strength	Average tensile strength	
	Teilung	Rollen-durchmesser	Innere Breite	Bolzen-durchmesser	Bolzen-länge		Laschen-abmessungen				Laschen-dicke	Min. Bruchkraft	Durchschn. Bruchkraft	
	P	d1 max	b1 min	d2 max	L max	Lc max	h1	h2	h3	H1	H2	T	Q min	Q0
	mm	mm	mm	mm	mm	mm	mm	mm	mm	mm	mm	mm	kN/LB	kN
3558-48180	35	12.8	58	7	70.5		15	13	18	38	48	2.03	27.44/6236	28.5

Rice harvester chains

Ketten für die Reiserntemaschine



Donghua Chain No. Donghua Ketten Nr.	Pitch	Roller diameter	Width between inner plates	Pin diameter	Pin length		Tooth angle	Plate dimension					Plate thickness	Ultimate tensile strength	Average tensile strength
	Teilung	Rollen-durchmesser	Innere Breite	Bolzen-durchmesser	L	Lc	Zahn-winkel	Laschen-abmessungen					Laschen-dicke	Min. Bruchkraft	Durchschn. Bruchkraft
	P	d1 max	b1 min	d2 max	L max	Lc max	α	h1	h2	h3	H1	H2	T	Q min	Q0
	mm	mm	mm	mm	mm	mm		mm	mm	mm	mm	mm	mm	kN/LB	kN
3330-66401	33	12.7	30	5.94	44.4	47.6	60°	10	15	13	43	45	2.42	19.61/4457	22.5



Donghua Chain No. Donghua Ketten Nr.	Pitch	Roller diameter	Width between inner plates	Pin diameter	Pin length		Tooth angle	Plate dimension					Plate thickness	Ultimate tensile strength	Average tensile strength
	Teilung	Rollen-durchmesser	Innere Breite	Bolzen-durchmesser	L	Lc	Zahn-winkel	Laschen-abmessungen					Laschen-dicke	Min. Bruchkraft	Durchschn. Bruchkraft
	P	d1 max	b1 min	d2 max	L max	Lc max	α	h1	h2	h3	H1	H2	T	Q min	Q0
	mm	mm	mm	mm	mm	mm		mm	mm	mm	mm	mm	mm	kN/LB	kN
3325T-1E8350	33	10.1	28	7.0	34.5	39	70°	10	20	13	35	48	1.6	19.60/4455	22.5