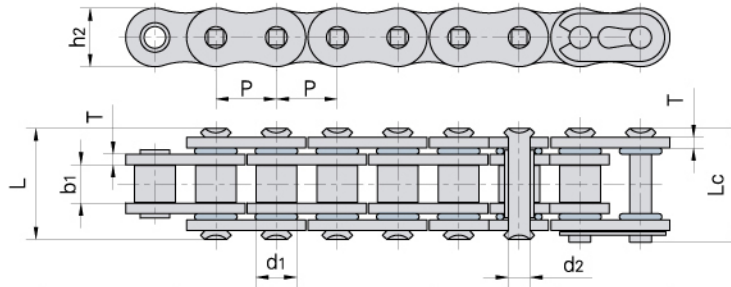


# O-Ring motorcycle chains

## Motorradketten mit O-Ring

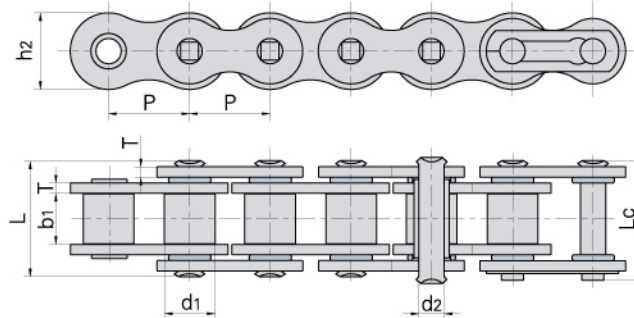
ANTRIEBSKETTEN



Donghua Chain No. <i>Donghua Ketten Nr.</i>	Pitch <i>Teilung</i>	Roller diameter <i>Rollen-durch-messer</i>	Width between inner plates <i>Innere Breite</i>	Pin diameter <i>Bolzen-durch-messer</i>	Pin length <i>Bolzen-länge</i>		Inner plate depth <i>Innen-laschen-höhe</i>	Plate thickness <i>Laschen-dicke</i>	Ultimate tensile strength <i>Min. Bruchkraft</i>	Average tensile strength <i>Durchschn. Bruchkraft</i>	Weight per meter <i>Gewicht</i>
	P	d1 max	b1 min	d2 max	L max	Lc max	h2 max	T max	Q min	Q0	q
	mm	mm	mm	mm	mm	mm	mm	mm	kN/LB	kN	kg/m
420OR	12.700	7.77	6.25	3.96	16.65	17.95	12.00	1.50	16.0/3599	17.00	0.62
428HVS	12.700	8.51	7.94	4.45	21.30	22.40	12.30	2.03	22.0/4946	23.00	0.85
50LD	15.875	10.16	9.53	5.08	23.40	24.60	15.09	2.03	22.2/5045	26.50	1.12
520OR	15.875	10.16	6.70	5.30	21.20	22.30	15.09	2.20	32.0/7200	34.00	1.11
520F1OR	15.875	10.16	6.25	5.30	21.20	22.30	15.09	2.20	32.0/7200	34.00	1.09
520V6	15.875	10.16	6.25	5.08	19.60	21.30	15.09	2.03	22.2/5045	26.50	0.96
520HOR	15.875	10.16	6.25	5.24	21.52	22.92	15.09	2.42	26.5/6022	29.60	1.26
525F1OR	15.875	10.16	7.95	5.30	23.10	24.00	15.09	2.20	32.0/7200	34.00	1.16
530HOR	15.875	10.16	9.53	5.24	24.80	26.20	15.09	2.42	29.0/6524	30.00	1.39

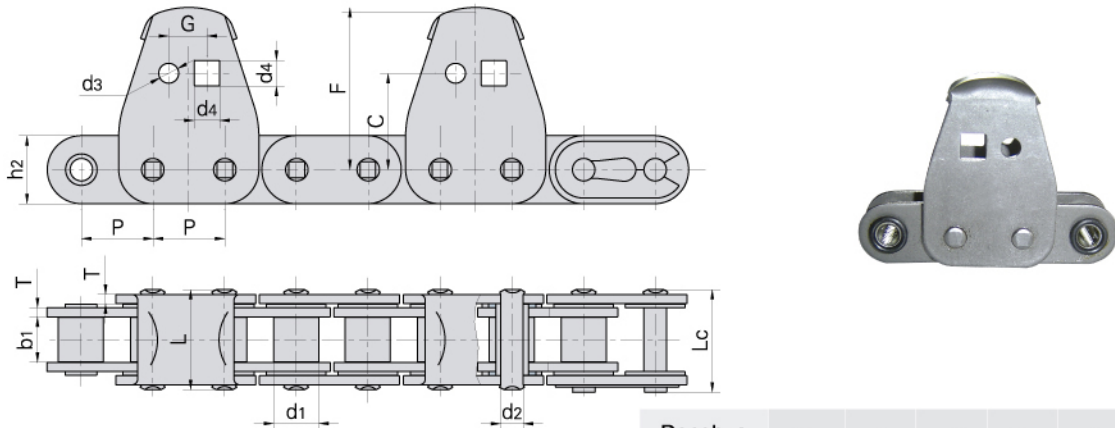
# O-Ring chains

## Ketten mit O-Ring



Donghua Chain No. <i>Donghua Ketten Nr.</i>	Pitch <i>Teilung</i>	Roller diameter <i>Rollen-durch-messer</i>	Width between inner plates <i>Innere Breite</i>	Pin diameter <i>Bolzen-durch-messer</i>	Pin length <i>Bolzen-länge</i>		Plate depth <i>Laschen-höhe</i>	Plate thickness <i>Laschen-dicke</i>	Ultimate tensile strength <i>Min. Bruchkraft</i>	Average tensile strength <i>Durchschn. Bruchkraft</i>	Weight per meter <i>Gewicht</i>
	P	d1 max	b1 min	d2 max	L max	Lc max	h2 max	T max	Q min	Q0	q
	mm	mm	mm	mm	mm	mm	mm	mm	kN/LB	kN	kg/m
40 OR	12.700	7.95	7.85	3.96	18.3	19.6	12.00	1.50	14.1/3205	17.50	0.67
50 OR	15.875	10.16	9.40	5.08	23.1	24.8	15.09	2.03	22.2/5045	29.40	1.19
60 OR	19.050	11.91	12.57	5.94	28.5	30.4	18.00	2.42	31.8/7227	41.50	1.62
60HT OR	19.050	11.91	12.57	5.94	31.7	33.2	18.00	3.25	55/12500	58.00	1.96
80 OR	25.400	15.88	15.75	7.92	35.6	37.3	24.00	3.25	56.7/12886	69.40	2.70
100 OR	31.750	19.05	18.95	9.53	43.3	47.0	30.00	4.00	88.5/20114	109.20	3.91
120 OR	38.100	22.23	25.22	11.11	54.0	57.5	35.70	4.80	127.0/28864	156.30	6.34
08B OR	12.700	8.51	7.75	4.45	18.8	19.9	11.80	1.60	18.0/4091	19.40	0.74

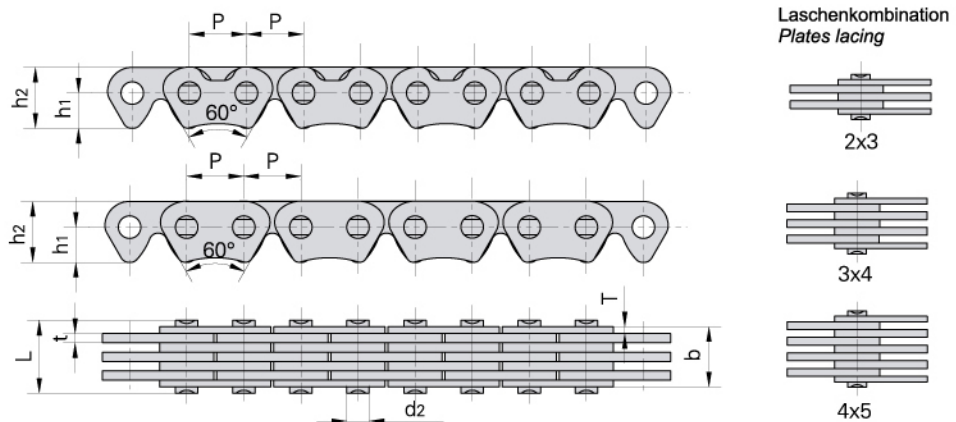
# O-Ring chains Ketten mit O-Ring



Donghua Chain No. Donghua Ketten Nr.	P	C	F	G	d3	d4
	mm	mm	mm	mm	mm	mm
C80F3 OR	25.4	34	57.2	13.5	7	9

Donghua Chain No. Donghua Ketten Nr.	Pitch Teilung	Roller diameter Rollen-durch-messer	Width between inner plates Innere Breite	Pin diameter Bolzen-durch-messer	Pin length Bolzen-länge		Plate depth Laschen-höhe	Plate thickness Laschen-dicke	Ultimate tensile strength Min. Bruchkraft	Average tensile strength Durchschn. Bruchkraft
	P	d1 max	b1 min	d2 max	L max	Lc max	h2 max	T max	Q min	Qo
	mm	mm	mm	mm	mm	mm	mm	mm	kN/LB	kN
C80F3 OR	25.4	15.88	15.75	7.92	36.6	38.7	24.0	3.25	56.7/12886	69.4

# Engine mechanism chains (Timing chains) Steuerketten



Donghua Chain No. Donghua Ketten Nr.	Pitch Teilung	Chain width Ketten-breite	Pin diameter Bolzen-durch-messer	Pin length Bolzen-länge	Distance from hole center to tooth Abstand zwischen Lochmitte und Zahns Spitze	Plate depth Laschen-höhe	Plate thickness Laschen-dicke	Guide form Führungs-typ	Number of plates Anzahl der Laschen	Ultimate tensile strength Min. Bruchkraft	Average tensile strength Durchschn. Bruchkraft	Weight per meter Gewicht
	P	b max	d2 min	L max	h1	h2 max	t/T max		n	Q min	Qo	q
	mm	mm	mm	mm	mm	mm	mm			kN/LB	kN	kg/m
CL04	6.35	4.35	2.50	6.05	3.94	6.80	1.04/0.75	Outside	5(2x3)	5.19/1179	5.4	0.22
CL04	6.35	6.35	2.50	8.20	3.90	6.72	1.04/0.75	Outside	7(3x4)	8.82/2004	9.2	0.28
CL04	6.35	9.40	2.50	10.90	3.90	6.72	1.04	Outside	9(4x5)	11.76/2672	12.3	0.35