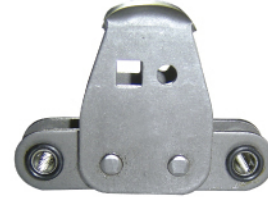
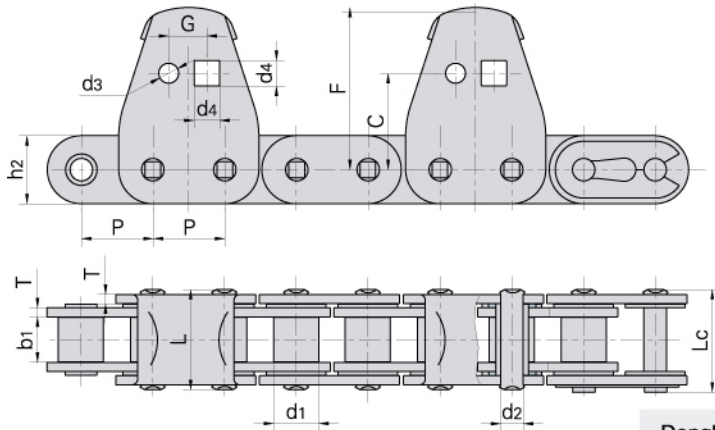


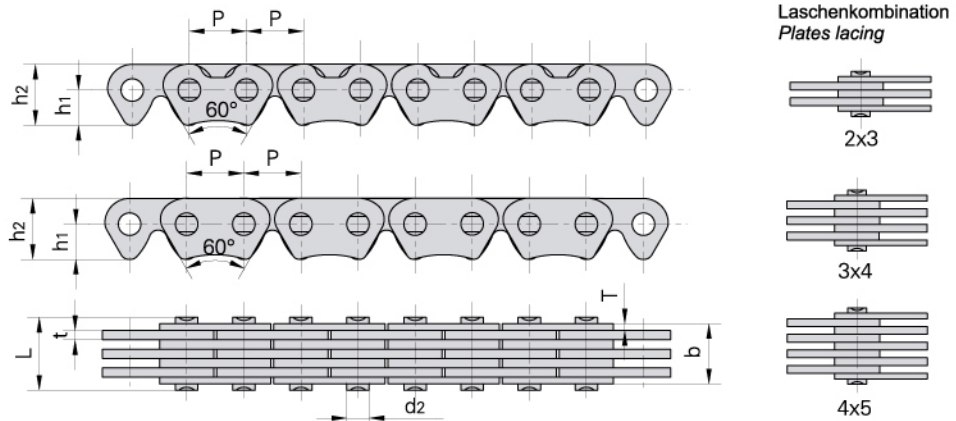
# O-Ring chains Ketten mit O-Ring



Donghua Chain No. Donghua Ketten Nr.	P	C	F	G	d3	d4
	mm	mm	mm	mm	mm	mm
C80F3 OR	25.4	34	57.2	13.5	7	9

Donghua Chain No. Donghua Ketten Nr.	Pitch Teilung	Roller diameter Rollen-durch-messer	Width between inner plates Innere Breite	Pin diameter Bolzen-durch-messer	Pin length Bolzen-länge		Plate depth Laschen-höhe	Plate thickness Laschen-dicke	Ultimate tensile strength Min. Bruchkraft	Average tensile strength Durchschn. Bruchkraft
	P	d1 max	b1 min	d2 max	L max	Lc max	h2 max	T max	Q min	Qo
	mm	mm	mm	mm	mm	mm	mm	mm	kN/LB	kN
C80F3 OR	25.4	15.88	15.75	7.92	36.6	38.7	24.0	3.25	56.7/12886	69.4

# Engine mechanism chains (Timing chains) Steuerketten



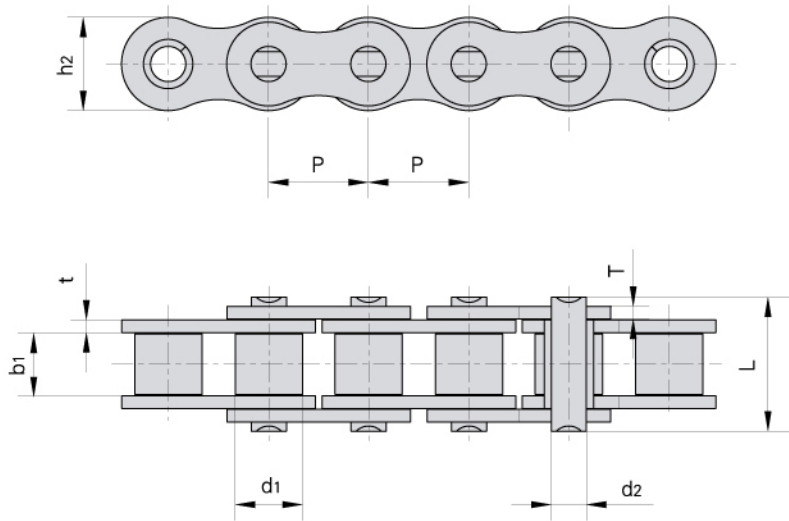
Donghua Chain No. Donghua Ketten Nr.	Pitch Teilung	Chain width Ketten-breite	Pin diameter Bolzen-durch-messer	Pin length Bolzen-länge	Distance from hole center to tooth Abstand zwischen Lochmitte und Zahns Spitze	Plate depth Laschen-höhe	Plate thickness Laschen-dicke	Guide form Führungs-typ	Number of plates Anzahl der Laschen	Ultimate tensile strength Min. Bruchkraft	Average tensile strength Durchschn. Bruchkraft	Weight per meter Gewicht
	P	b max	d2 min	L max	h1	h2 max	t/T max		n	Q min	Qo	q
	mm	mm	mm	mm	mm	mm	mm			kN/LB	kN	kg/m
CL04	6.35	4.35	2.50	6.05	3.94	6.80	1.04/0.75	Outside	5(2 x 3)	5.19/1179	5.4	0.22
CL04	6.35	6.35	2.50	8.20	3.90	6.72	1.04/0.75	Outside	7(3 x 4)	8.82/2004	9.2	0.28
CL04	6.35	9.40	2.50	10.90	3.90	6.72	1.04	Outside	9(4 x 5)	11.76/2672	12.3	0.35

# Engine mechanism chains (Timing chains)

## Steuerketten

Our engine mechanism chains are composed of starter chains primary drive chains, automotive timing chains and oil pump chains etc..

Unsere Steuerketten umfasst Anlassertriebsketten, Primärtriebsketten, Automobilsteuerketten und Ölpumpenketten etc..



Donghua Chain No.	Pitch Teilung	Roller diameter Rollen-durch-messer	Width between inner plates Innere Breite	Pin diameter Bolzen-durch-messer	Pin length Bolzen-länge	Inner plate depth Innen-laschen-höhe	Plate thickness Laschen-dicke	Ultimate tensile strength Min. Bruchkraft	Average tensile strength Durchschn. Bruchkraft	Weight per meter Gewicht
Donghua Ketten Nr.	P	d1 max	b1 min	d2 max	L max	h2 max	t/T max	Q min	Q0	q
	mm	mm	mm	mm	mm	mm	mm	kN/LB	kN	kg/m
*25H	6.350	3.30	3.18	2.31	8.90	6.00	1.04	4.8/1091	5.5	0.17
*25-1	6.350	3.30	3.18	2.31	7.90	6.00	0.80	3.5/795	4.6	0.15
*25-2	6.350	3.30	3.18	2.31	14.50	6.00	0.80	7.0/1591	8.6	0.28
*219H	7.774	4.59	5.00	3.01	11.90	7.40	1.2/1.04	6.6/1500	7.4	0.28
C219H	7.774	5.00	5.00	3.01	11.90	7.40	1.2/1.04	6.6/1500	7.4	0.23
*270H	8.500	5.00	4.75	3.28	13.15	8.45	1.8/1.4	9.8/2227	11.0	0.33
*35	9.525	5.08	4.77	3.58	12.40	9.00	1.30	7.9/1795	10.8	0.33
▲BF05T	8.000	4.71	4.61	3.05	11.48	7.60	1.3/1.04	7.0/1591	9.8	0.35
▲P8.13	8.130	5.65	4.60	3.05	12.00	7.65	1.3/1.2	8.5/1912	9.8	0.39
▲05BT	8.000	5.65	4.60	3.05	12.00	7.65	1.3/1.2	8.5/1912	9.8	0.40
▲05E	8.000	5.65	4.61	3.05	12.30	7.65	1.3/1.04	8.5/1912	9.8	0.39
▲06AT	9.525	6.35	3.94	3.28	10.50	8.20	1.3/1.04	8.9/2023	10.0	0.34
▲06BT-1	9.525	6.35	5.72	3.28	12.50	8.20	1.3/1.04	9.0/2045	10.0	0.38
▲06BT-2	9.525	6.35	5.72	3.28	22.90	8.20	1.3/1.04	16.9/3841	17.9	0.73
▲06BF14	9.525	6.35	5.05	3.28	13.15	8.20	1.5/1.3	11.2/2520	12.5	0.39
▲06BF14-2	9.525	6.35	5.05	3.28	24.70	8.20	1.5/1.3	22.4/5040	24.0	0.81

\*Bushing chain: d1 in the table indicate the external diameter of the bushing.

\*Buchsenketten: In dieser Tabelle zeigt d1 den Außendurchmesser der Buchsen.

▲ Straight side plates

▲ Gerade Laschen