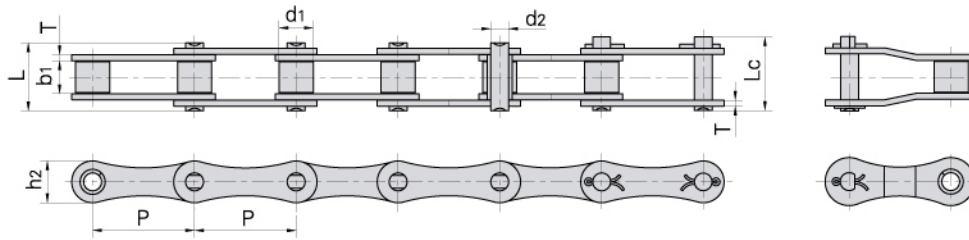
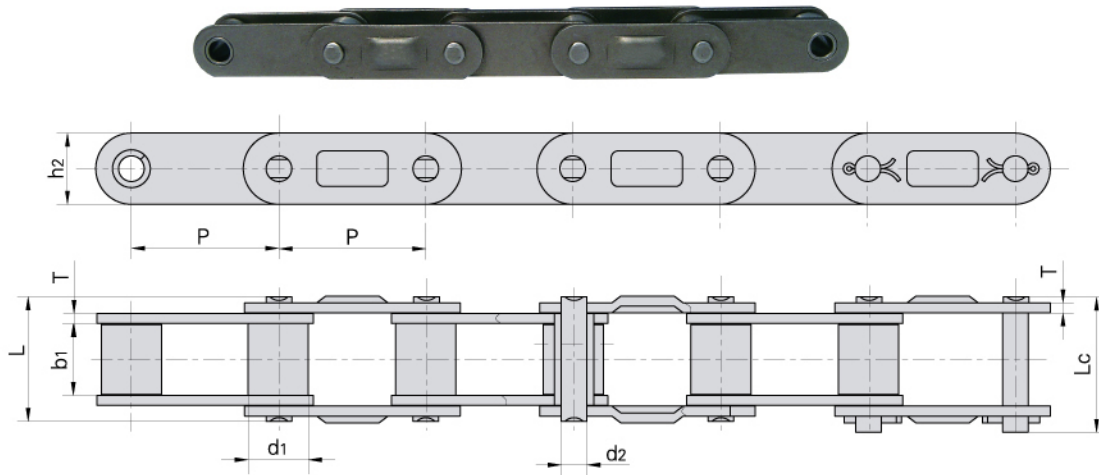


A type steel agricultural chains Landmaschinenketten A-Typ



Donghua Chain No. Donghua Ketten Nr.	Pitch	Roller diameter	Width between inner plates	Pin diameter	Pin length		Plate dimension		Ultimate tensile strength	Average tensile strength	Weight per meter
	Teilung	Rollen-durchmesser	Innere Breite	Bolzen-durchmesser	Bolzen-länge		Laschen-abmessungen		Min. Bruchkraft	Durchschn. Bruchkraft	Gewicht
	P mm	d1 max mm	b1 min mm	d2 max mm	L max mm	Lc max mm	h2 max mm	T max mm	Q min kN/LB	Q0 kN	q kg/m
A550	41.40	16.87	19.81	7.19	35.0	38.0	19.3	2.80	39.10/8886	51.2	1.79
A555	41.40	16.87	12.70	7.19	29.1	32.0	19.3	3.10	39.10/8886	56.0	1.60
A557	41.40	17.78	20.24	8.00	37.4	40.6	23.1	3.10	55.61/12639	74.3	2.45
A620	42.01	17.91	24.51	7.19	41.8	45.2	20.2	3.25	39.10/8886	55.1	2.18

CA type steel agricultural chains Landmaschinenketten CA-Typ



Donghua Chain No. Donghua Ketten Nr.	Pitch	Roller diameter	Width between inner plates	Pin diameter	Pin length		Plate dimension		Ultimate tensile strength	Average tensile strength	Weight per meter
	Teilung	Rollen-durchmesser	Innere Breite	Bolzen-durchmesser	Bolzen-länge		Laschen-abmessungen		Min. Bruchkraft	Durchschn. Bruchkraft	Gewicht
	P mm	d1 max mm	b1 min mm	d2 max mm	L max mm	Lc max mm	h2 max mm	T max mm	Q min kN/LB	Q0 kN	q kg/m
CA627	30.00	15.88	19.05	8.28	36.1	39.4	20.5	3.00	50.0/11247	55.0	2.51
CA550D	41.40	16.87	19.81	7.19	35.0	38.0	19.3	2.80	39.10/8886	51.2	1.94
CA555D	41.40	16.87	12.70	7.19	29.1	32.0	19.3	3.10	39.10/8886	56.0	1.72
CA557D	41.40	17.78	20.24	8.00	37.4	40.6	23.1	3.10	55.61/12639	74.3	2.60
CA620D	42.01	17.91	24.51	7.19	41.8	45.2	20.2	3.25	39.10/8886	55.1	2.35